

24" x 24" x 10" Fiberglass Cabinet

WEATHERPROOF EQUIPMENT ENCLOSURE

This NEMA 4X fiberglass reinforced polyester cabinet features a fire treated and painted plywood backboard for easy field installation of communication devices and equipment in indoor or outdoor environments. The enclosure is UL Listed, non-corrosive, non-conductive, light weight, and easy to modify. The added water and dust proof NEMA 4X vents provide convection cooling to further protect installed equipment. Cabinets can be secured with a padlock and the include mounting feet can be used for wall or strut mounting. An optional pole mount kit is available for order separately.

Customized cabinets and turn-key solutions to fit your specific applications needs are available from the RLH Industries design group. Please contact an RLH sales representative for more information about our cabinet modification and design program.

Key Features

- Weatherproof design for outdoor use
- Heavy duty fiberglass cabinet
- Fire treated and painted 3/4" plywood backboard
- Polyurethane gasket for weathertight door seal
- Weatherproof NEMA 4X side and bottom vents
- 7 position ground bar, accepts #10 to #1/0 AWG ground wire
- Two stainless steel pad lockable latches
- Wall/Strut mount feet include, optional pole mount kit available
- Factory installed options available: include fans, heaters, thermostats, and more



H24" x W24" x D10" Fiberglass Cabinet



Internal View



Ordering Information

Part Number	Description
RLH-242410-F-1	24" x 24" x 10" Fiberglass Cabinet with Treated 3/4" Wood backboard
PMK-242410-F-1	Pole Mount Kit for Poles Sized 4"-12"

Cabinet Features



Pad-Lockable latches



NEMA 4X vents



Wall mounting feet



Pole mount kit



7 position ground bar

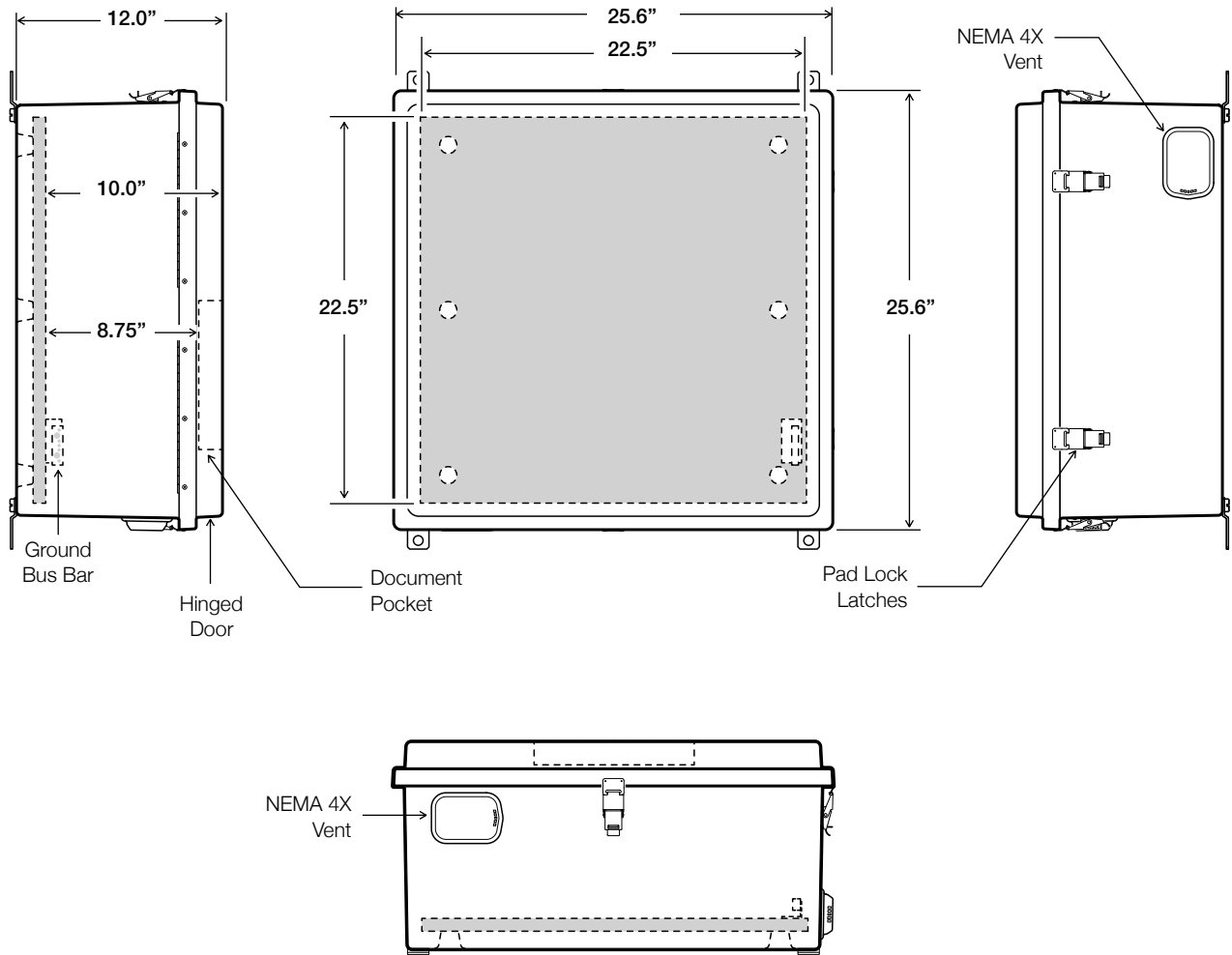
Specifications

Construction	Material	Fiberglass
	Weight	Wall Mount Model : 32 lbs. / 14.5kg Pole Mount Kit: 4 lbs. / 10.4kg
	Finish	Grey, outdoor rated
	Exterior Dimensions	H 25.6" x W 25.6" x D 12.0"
	Usable interior Depth	8.75" to 10.0" (varies with document pocket on door)
	Venting	NEMA 4X Vents to provide air circulation 1 side vent, 1 bottom vent
	Mounting	Wall Mount Model
Pole Mount Kit (Optional)		Strap attachment to 4 in. to 12. diameter pole Qty. 2 - 1" straps
Access		Hinged door with weatherproof gasket seal Qty. 2 - Pad lockable latches
Interior Details	Usable Backboard	H 22.5 in. x W 22.5 in.
	Backboard Type	3/4" thick fire treated, painted plywood
	Ground Bus	7 position ground wire capacity Qty. 4 - #10 to #6 AWG, Qty. 3 - #10 to #1/0 AWG



Dimensional Information

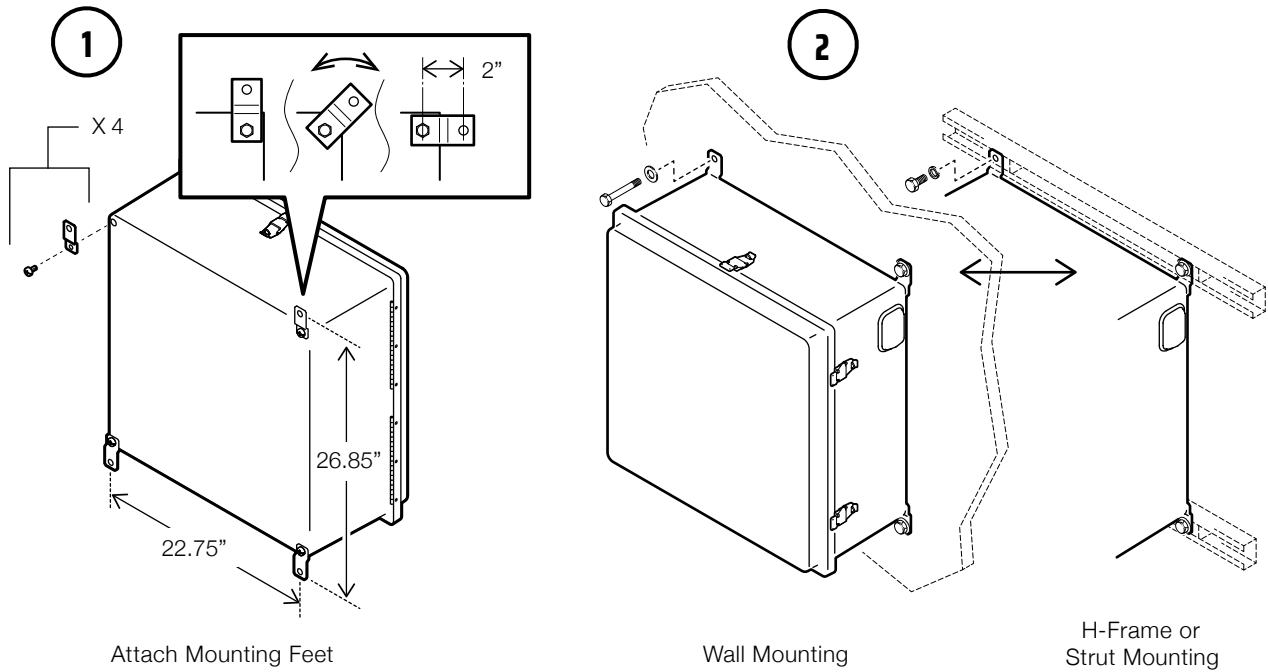
Use the drawing below for external dimensions, features, and internal equipment space.



Installation

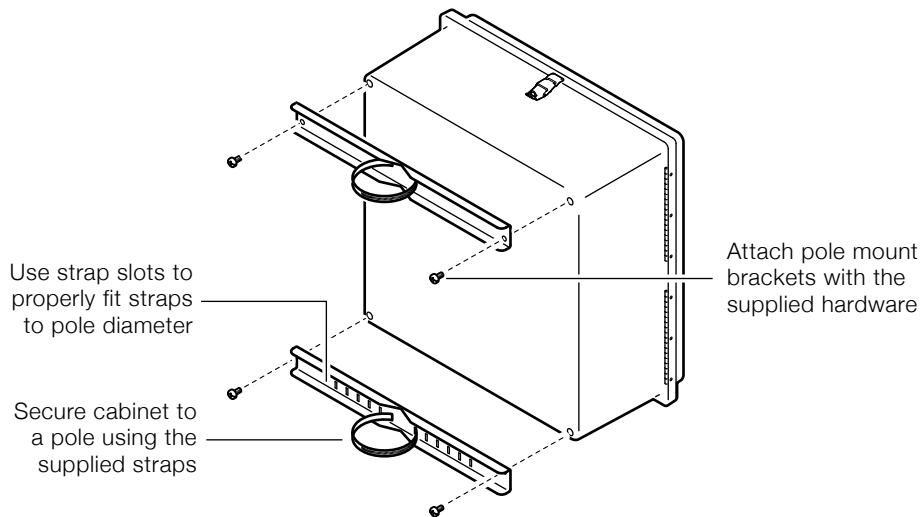
Wall Mounting

Attach the 4 mounting feet to the rear corners of the cabinet with the hardware provided.



Pole Mounting

Attach the pole brackets to the fasteners on back of the cabinet. Securely strap cabinet to pole.



Optional Equipment

RLH fiberglass cabinets are available with optional equipment for specific applications through our factory modification service.

Please contact an RLH sales representative for additional information.



Fans & Thermostats



Terminal Blocks & Breakers



Equipment Rack Rails



AC Power Outlets



Cable Management

Contact

Mail:	Attn: Sales RLH Industries, Inc. 936 N. Main St. Orange, CA 92867 USA	
Phone:	Local	(714) 532-1672
Sales/Customer Service/ Tech. Support Mon.-Fri. 6am - 6pm PST	Toll Free	(800) 877-1672
	Toll Free	(866) DO-FIBER
email:	info@fiberopticlink.com	
Fax:	(714) 532-1885	



RLH Industries, Inc.
936 N. Main Street, Orange, CA 92867 USA
T: (714) 532-1672
F: (714) 532-1885

Please contact your RLH sales representative for pricing and delivery information.

Specifications subject to change without notice.