

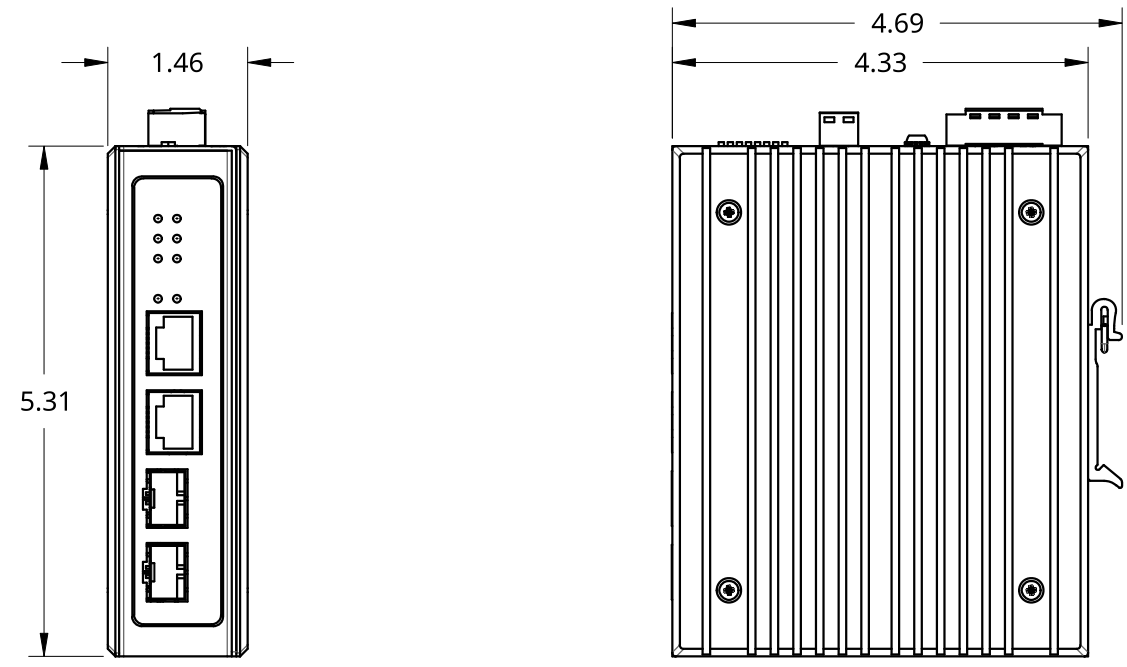
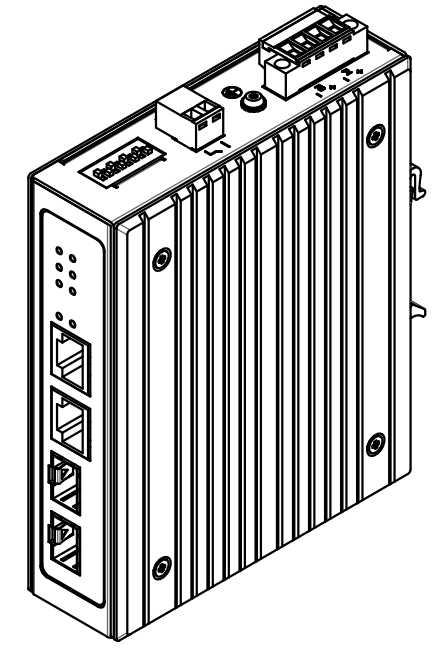
4

3

2

1

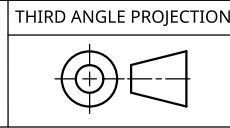
REV	ZONE	DESCRIPTION	DATE	APPROVED
A		INITIAL RELEASE	04/16/2026	KG



TITLE			
10/100/1G INDUSTRIAL ETHERNET MEDIA CONVERTER, SFP (100/1G) 12-48VDC PRODUCT LAYOUT			
SIZE	DWG NO.	REV.	
B	SD-101	A	
SCALE	WEIGHT	SHEET	
1:2		1 of 1	



FIBEROPTICLINK



4

3

2

1

D

D

C

C

B

B

A

A