

## USER GUIDE

### 2 Plate Wall Mount Fiber Patch Panel

#### Wall Mount Housing for Splicing and Patching up to 48 Fibers

The RLH 2 Plate Wall Mount Fiber patch panel is a flexible and easy to use housing for fiber optic patching and splicing.

This wall mount design patch panel holds 2 LGX style adapter plates, and features a full width, wrap-around door which provides total interior access and is secured with flip latches. It includes 4 self sealing 1 ½" cable entry grommets on the top and bottom for safe entry and exit of fiber optic cable, a built-in strength member clamp, and anchor points for organizing cable routing.

It comes complete with stacking fiber splice holders, splice protection sleeves, distribution chart, hook-and-loop straps for securing cable, cable ties and stainless steel wall mounting hardware.

Adapter plates may be ordered separately or preinstalled and are available with ST, SC, FC, LC, MTRJ, UPC and APC style adapters. When ordered using our configuration matrix, the Adapter Plates are preinstalled, and the Splice on Fiber Pigtailed are bundled with the patch panel for convenience.

### Key Features

- Holds 2 LGX® adapter plates, blank adapter plates included
- Full access, wrap around door with flip latches
- Small footprint, housing fully encloses distribution fiber
- Includes stacking splice holders and splice protection sleeves
- Multiple built-in anchor points to secure fiber cable routing
- Self sealing grommets (up to 1 ½") on the top and bottom
- Strain relief clamp for securing entry cable
- Includes hook and loop straps for cable management
- Holds ST, SC, FC, LC, MTRJ, UPC, APC style adapters
- Durable steel construction
- Wall mounting hardware included



2 Plate Wall Mount Fiber Patch Panel



Included Accessories

## Installation

### Wall Mounting

Choose a suitable location, with room for the door to open fully for easy access to the interior. Pre-position the patch panel to plan out cable routings and check for any potential problems with the location. The patch panel may be mounted in any orientation making it a flexible solution in the field.

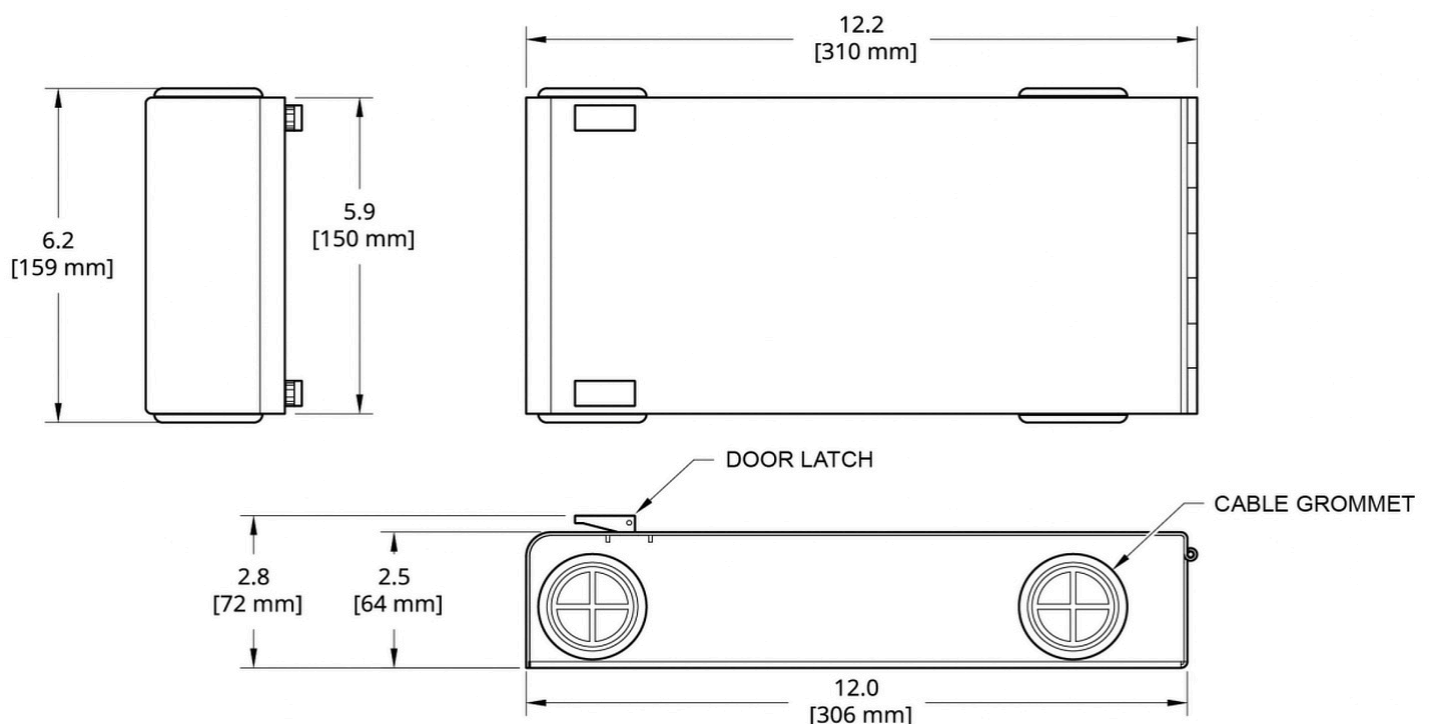
Once the position is determined, mark out the mounting points and use the included hardware to mount the patch panel when mounting to wood surfaces. For all other mounting applications, use the appropriate mounting hardware as required.

### Adapter Plates

The 2 Plate Wall Mount Fiber Patch Panel accommodates LGX adapter plates. The LGX style adapter plates are easily installed and removed by pushing in or pulling out the two finger plunger latches on each side of the plate. When the plunger latches are in the OUT position, the fiber adapter plate can be inserted or removed. Pushing the latch into the IN position locks the adapter plate into position and prepares the plate for use.

### Splice Holders

The fiber splice holders adhere to the main compartment in the fiber patch panel. They're stackable and held in place by dual sided adhesive foam tape. They are only needed when splicing fiber optic cable as they're designed to hold the included fiber splice sleeves in place.



## USER GUIDE

### Ordering Information

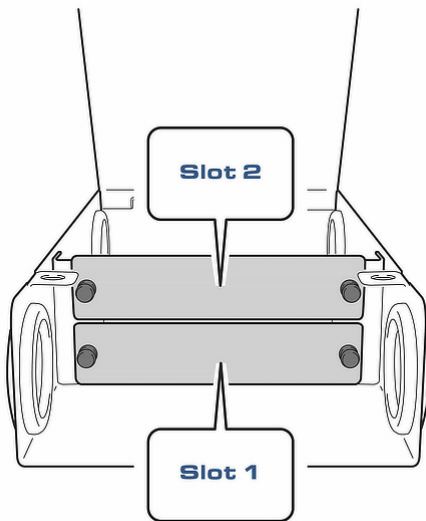
Use the following part number when ordering the patch panel without fiber adapter plates or pigtails.

Description	Capacity	Dimensions	Part Number
2 Plate Wall Mount Fiber Patch Panel	2 Fiber Adapter Plates	12.2" (W) x 2.5" (D) x 5.9" (H)	WMP2-A-1

- Fiber adapter plates and/or pigtails can be ordered separately; plates can be preinstalled, while pigtails will be bundled

### Ordering with Fiber Adapter Plates and Pigtails

Use the ordering code below to order the patch panel with fiber adapter plates preinstalled and/or pigtails included. Refer to the Fiber Adapter Plate Chart and the Fiber Pigtail Chart on the following pages.



Example #1:	<b>WMP2 - 32 - 32 - 41 - 41 - 1</b>	
Slot 1 (32):		AP-SC6-LDSM-G
Slot 2 (32):		AP-SC6-LDSM-G
Slot 1 (41):		RLH-12SMSC-03M
Slot 2 (41):		RLH-12SMSC-03M
Example #2:	<b>WMP2 - 08 - 08 - 00 - 00 - 1</b>	
Slot 1 (08):		AP-ST12-LSMM-G
Slot 2 (08):		AP-ST12-LSMM-G
Slot 1 (00):		None
Slot 2 (00):		None

WMP2 - XX - XX - XX - XX - 1

Slot 1    Slot 2                    Slot 1    Slot 2

#### Fiber Adapter Plates

Use the code from the Adapter Plate Chart\* to populate slots with adapter plates

**– Splice Holders & Sleeves Included with Patch Panel –**

#### Fiber Pigtails

Use the code from the Fiber Pigtail Chart\* to have them bundled together with the patch panel

\*Please refer to the **Fiber Adapter Plate Chart** and the **Fiber Pigtail Chart** on the following pages.

**Ordering Information (cont'd)**

**Adapter Plate Chart**

Use the Adapter Code to specify the desired plate style to be preinstalled.

Adapter	Adapter Plate Style					Supported Fiber Types	Gray Plate Part Number	Adapter Code
	Mode	Type	Fibers	Positions	Color			
Blank	-	-	-	-	-	-	AP-BLANK-G	00
ST	SM	Simplex	6	6	Yellow Caps	OS1/OS2	AP-ST6-LSSM-G	01
			12	12	Yellow Caps	OS1/OS2	AP-ST12-LSSM-G	03
	MM	Simplex	6	6	Black Caps	OM1~OM4	AP-ST6-LSMM-G	06
			12	12	Black Caps	OM1~OM4	AP-ST12-LSMM-G	08
FC	SM	Simplex	6	6	Yellow Caps	OS1/OS2	AP-FC6-LSSM-G	20
	MM		6	6	Black Caps	OM1/OM2	AP-FC6-LSMM-G	23
FC/APC	SM	Simplex	6	6	Green Caps	OS1/OS2	AP-FA6-LSSM-G	26
SC	SM	Simplex	6	6	■ blue	OS1/OS2	AP-SC6-LSSM-G	30
	SM	Duplex	6	3	■ blue	OS1/OS2	AP-SC3-LDSM-G	43
	SM		12	6	■ blue	OS1/OS2	AP-SC6-LDSM-G	32
	MM	Simplex	6	6	■ beige	OM1/OM2	AP-SC6-LSMM-G	33
	MM	Duplex	6	3	■ beige	OM1/OM2	AP-SC3-LDMM-G	44
	MM		12	6	■ beige	OM1/OM2	AP-SC6-LDMM-G	35
SC/APC	SM	Simplex	6	6	■ green	OS1/OS2	AP-SA6-LSSM-G	36
	SM	Duplex	6	3	■ green	OS1/OS2	AP-SA3-LSSM-G	45
	SM		12	6	■ green	OS1/OS2	AP-SA6-LDSM-G	38
SC 10G	MM	Simplex	6	6	■ aqua	OM3/OM4	AP-SC6-LSMX-G	39
	MM	Duplex	6	3	■ aqua	OM3/OM4	AP-SC3-LSMX-G	42
	MM		12	6	■ aqua	OM3/OM4	AP-SC6-LDMX-G	41
LC	SM	Duplex	6	3	■ blue	OS1/OS2	AP-LC3-LDSM-G	51
			12	6	■ blue	OS1/OS2	AP-LC6-LDSM-G	52
		Quad	24	6	■ blue	OS1/OS2	AP-LC6-LQSM-G	54
	MM	Duplex	6	3	■ beige	OM1/OM2	AP-LC3-LDMM-G	56
			12	6	■ beige	OM1/OM2	AP-LC6-LDMM-G	57
	Quad	24	6	■ beige	OM1/OM2	AP-LC6-LQMM-G	59	
LC/APC	SM	Duplex	6	3	■ green	OS1/OS2	AP-LA3-LDSM-G	61
			12	6	■ green	OS1/OS2	AP-LA6-LDSM-G	62
		Quad	24	6	■ green	OS1/OS2	AP-LA6-LQSM-G	64
LC 10G	MM	Duplex	6	3	■ aqua	OM3/OM4	AP-LC3-LDMX-G	66
			12	6	■ aqua	OM3/OM4	AP-LC6-LDMX-G	67
		Quad	24	6	■ aqua	OM3/OM4	AP-LC6-LQMX-G	69
Unshielded CAT6 RJ-45	-	Coupler	-	4	■ black	-	AP-RJCAT6-CP4-G	90
	-	Punchdown	-	4	■ black	-	AP-RJCAT6-PD4-G	91
	-	Coupler	-	6	■ black	-	AP-RJCAT6-CP6-G	92
Shielded CAT6 RJ-45	-	Coupler	-	4	■ Metallic	-	AP-RJCAT6S-CP4-G	94
	-	Punchdown	-	4	■ Metallic	-	AP-RJCAT6S-PD4-G	95
	-	Coupler	-	6	■ Metallic	-	AP-RJCAT6S-CP6-G	97
	-	Punchdown	-	6	■ Metallic	-	AP-RJCAT6S-PD6-G	98

**Ordering Information (cont'd)**

**Fiber Pigtail Chart**

Use the Pigtail Code to specify the desired 900µm Spiral Wrap Splice-on Fiber Pigtail to be included.

900µm Spiral Wrap Splice-on Pigtail				Part Number	Pigtail Code			
Adapter	Mode	Fibers	Fiber Type					
N/A	N/A	N/A	N/A	NONE	00			
ST	SM	6	OS1/OS2	RLH-06SMST-03M	01			
		12	OS1/OS2	RLH-12SMST-03M	02			
	MM	6		OM1	RLH-06MMST-03M	06		
				OM2	RLH-06M5ST-03M	07		
				OM3	RLH-06MXST-03M	08		
				OM4	RLH-06MCST-03M	09		
		12		OM1	RLH-12MMST-03M	12		
				OM2	RLH-12M5ST-03M	13		
				OM3	RLH-12MXST-03M	14		
				OM4	RLH-12MCST-03M	15		
			FC	SM	6	OS1/OS2	RLH-06SMFC-03M	20
					12	OS1/OS2	RLH-12SMFC-03M	21
MM	6			OM1	RLH-06MMFC-03M	23		
				OM2	RLH-06M5FC-03M	24		
				OM3	RLH-06MXFC-03M	25		
				OM4	RLH-06MCFC-03M	26		
	12			OM1	RLH-12MMFC-03M	28		
				OM2	RLH-12M5FC-03M	29		
				OM3	RLH-12MXFC-03M	30		
				OM4	RLH-12MCFC-03M	31		
		FC/APC		SM	6	OS1/OS2	RLH-06SMFA-03M	33
					12	OS1/OS2	RLH-12SMFA-03M	34
SC	SM	6	OS1/OS2	RLH-06SMSC-03M	40			
		12	OS1/OS2	RLH-12SMSC-03M	41			
	MM	6		OM1	RLH-06MMSC-03M	43		
				OM2	RLH-06M5SC-03M	44		
				OM3	RLH-06MXSC-03M	45		
				OM4	RLH-06MCSC-03M	46		
		12		OM1	RLH-12MMSC-03M	48		
				OM2	RLH-12M5SC-03M	49		
				OM3	RLH-12MXSC-03M	50		
				OM4	RLH-12MCSC-03M	51		
			SC/APC	SM	6	OS1/OS2	RLH-06SMSA-03M	53
					12	OS1/OS2	RLH-12SMSA-03M	54
LC	SM	6	OS1/OS2	RLH-06SMLC-03M	60			
		12	OS1/OS2	RLH-12SMLC-03M	61			
		24	OS1/OS2	RLH-12SMLC-03M (2)	62			
	MM	6		OM1	RLH-06MMLC-03M	63		
				OM2	RLH-06M5LC-03M	64		
				OM3	RLH-06MXLC-03M	65		
				OM4	RLH-06MCLC-03M	66		
		12		OM1	RLH-12MMLC-03M	68		
				OM2	RLH-12M5LC-03M	69		
				OM3	RLH-12MXLC-03M	70		
				OM4	RLH-12MCLC-03M	71		
			24		OM1	RLH-12MMLC-03M (2)	73	
					OM2	RLH-12M5LC-03M (2)	74	
					OM3	RLH-12MXLC-03M (2)	75	
					OM4	RLH-12MCLC-03M (2)	76	
			LC/APC	SM	6	OS1/OS2	RLH-06SMLA-03M	78
12	OS1/OS2	RLH-12SMLA-03M			79			
24	OS1/OS2	RLH-12SMLA-03M (2)			80			

## USER GUIDE

[www.fiberopticlink.com](http://www.fiberopticlink.com)

### Key Specifications

<b>Adapter Plates:</b> (ordered separately)	Holds 2 LGX® plates up to 24 Fibers each plate *Includes 2 blank adapter plates when not ordered with accompanying adapter plates
<b>Mounting Style:</b>	Wall or panel mount
<b>Environmental:</b>	Indoor or inside weatherproof enclosure
<b>Construction:</b>	Steel with hinged door, painted gray
<b>Included Accessory Kit:</b>	Qty. 4 – 4" x ½" hook-and-loop straps for securing fiber cable Qty. 2 – 24 fiber, stacking fiber splice holders with adhesive strip Qty. 50 – Fiber splice protection sleeves Qty. 10 – 4" cable ties for securing entry cable Qty. 4 – #10 x ¾" stainless steel mounting screws and washers Qty. 1 – Self adhesive fiber distribution chart
<b>Dimensions:</b>	12.2" (W) x 2.5" (D) x 5.9" (H), (310mm x 64mm x 150mm) *Not including latches or grommets

### Contact

By Mail:	Att: Sales RLH Industries, Inc. 936 N. Main St. Orange, CA 92867	
By Phone:	Local	714-532-1672
Sales / Service Mon - Fri, 6am - 6pm, PST	Toll Free	800-877-1672 866-DO-FIBER
By Email:	info@fiberopticlink.com	
By FAX:	714-532-1885	

### Tech Support

By Email:	support@fiberopticlink.com	
By Phone:	Toll Free	855-754-2497 855-RLH-24X7