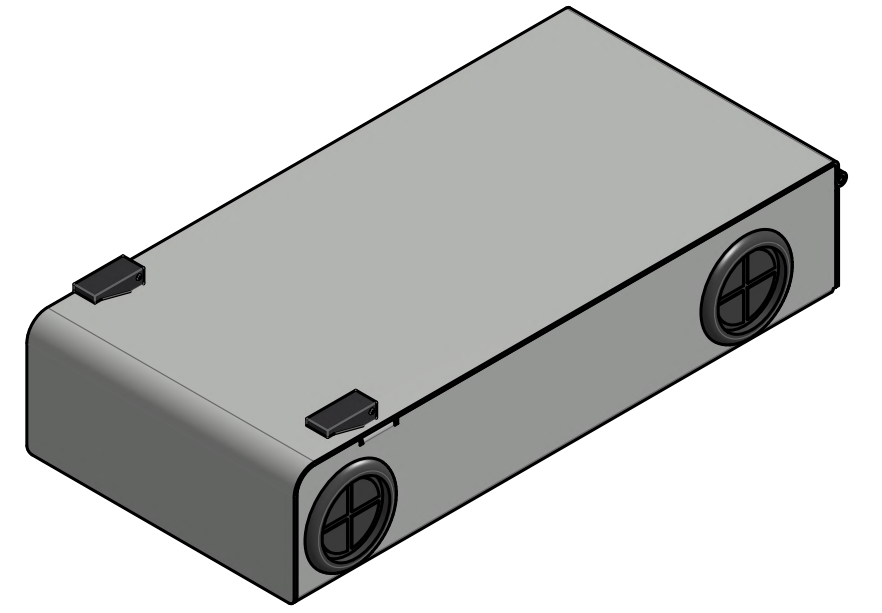
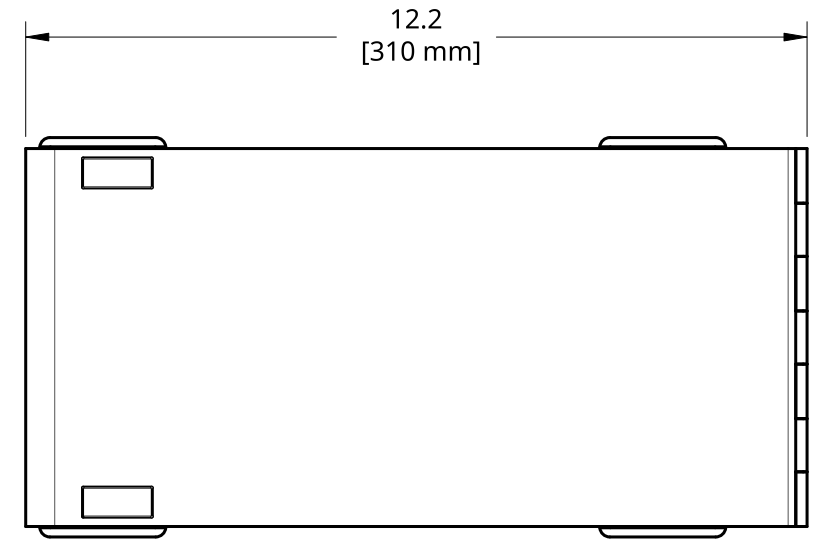
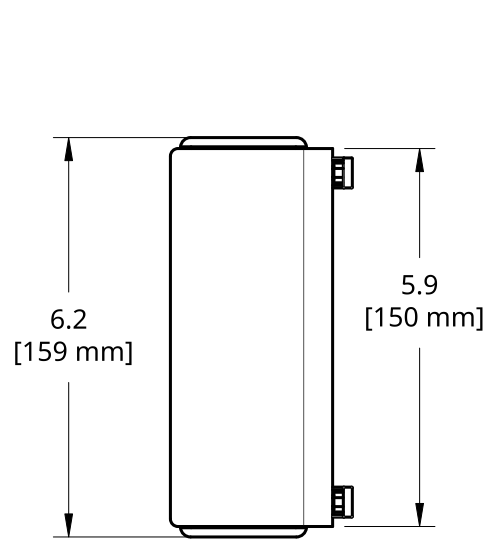


4

3

2

1

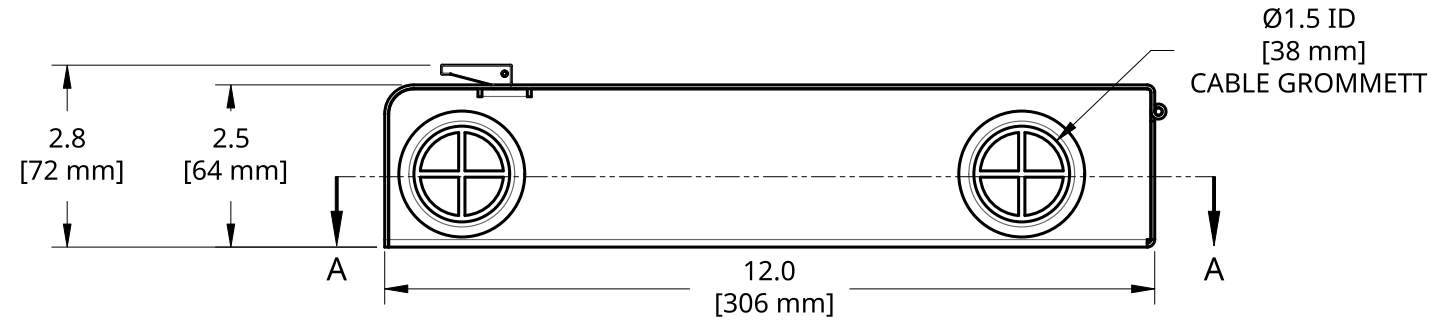


D

D

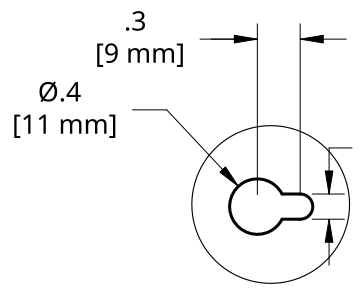
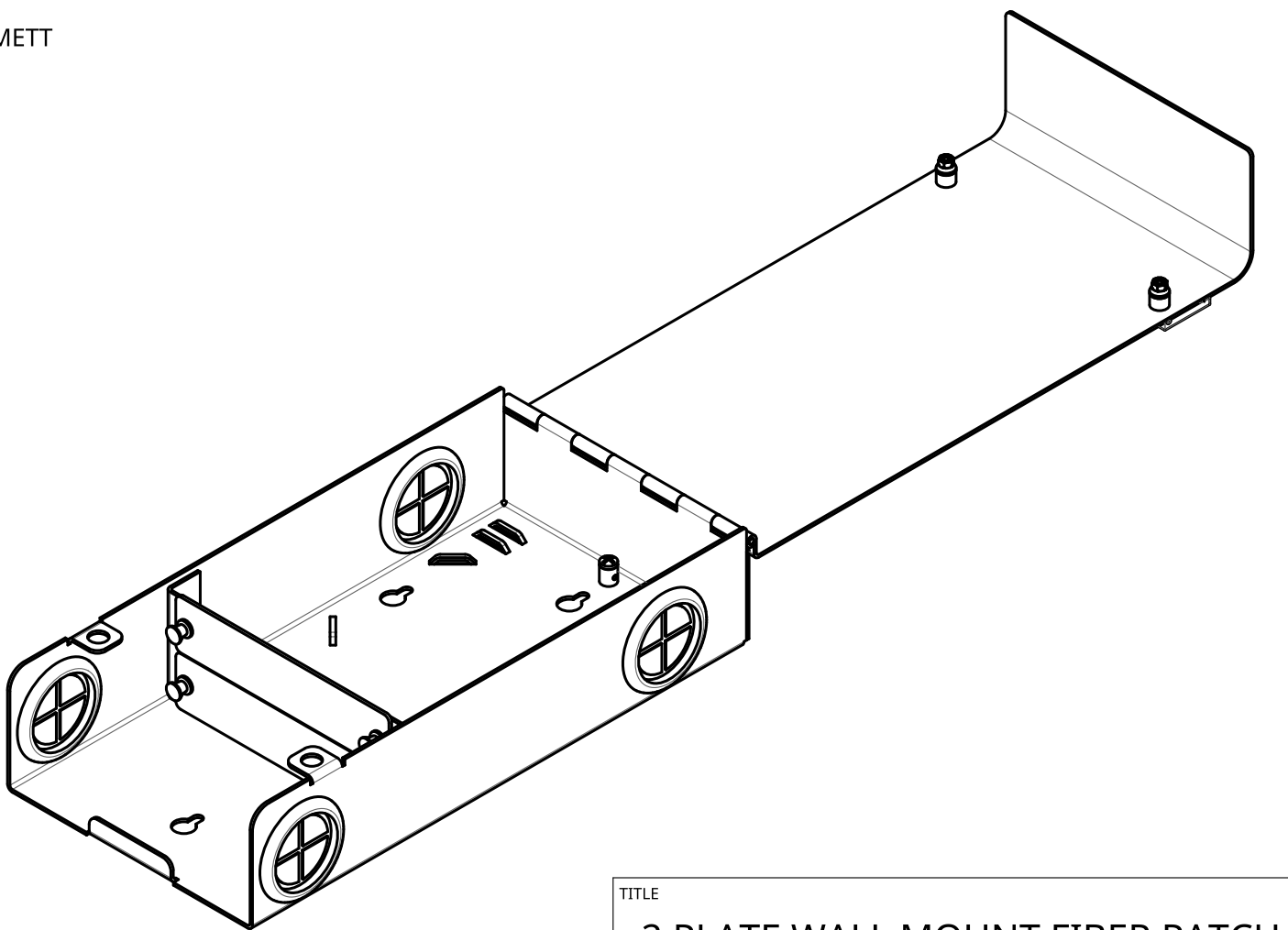
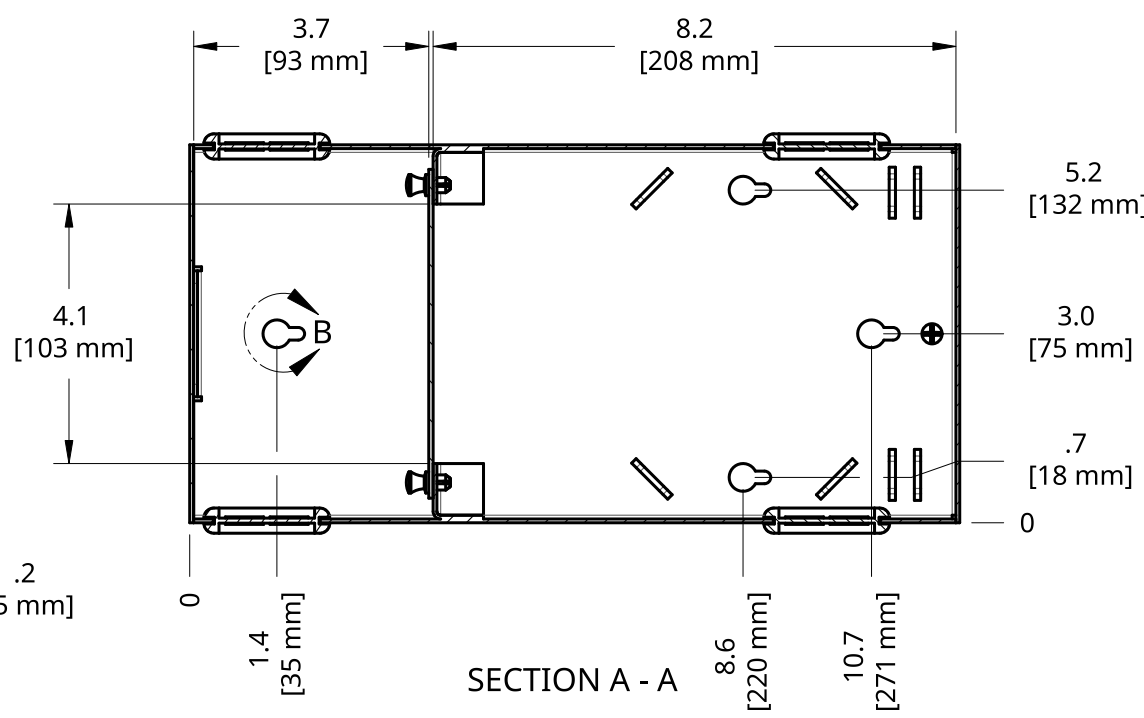
C

C



B

B



DETAIL B
SCALE 2:3

SECTION A - A

TITLE			
2 PLATE WALL MOUNT FIBER PATCH PANEL			
SIZE	DWG. NO.	REV.	
B	WMP2-A-1	A	
SCALE	WEIGHT	SHEET	1 of 1
1:3			

A

A

4

3

2

1



FIBEROPTICLINK

