



FiberLink 1RU Rack Mount Fiber Patch Panel

PRFL1 Series

Slide out tray holds 3 LGX Compatible Fiber Adapter plates

The RLH FiberLink 1RU FiberLink patch panel is designed to provide a user friendly solution for fiber optic patching in a 19" equipment rack. Occupying just 1RU of rack space, It holds up to 3 LGX compatible fiber adapter plates and 3 fiber splice trays for a complete patching/splicing solution. It is ideal for use in a wide variety of environments including substations, equipment rooms, central offices, and outdoor enclosures.

FiberLink patch panels are constructed from powder coated steel, and feature a hinged door with large window, and generous rear access with a steel cover. The sliding tray has multiple stops for securing it in various positions, and cable access ports guide fiber in and out of the enclosure.

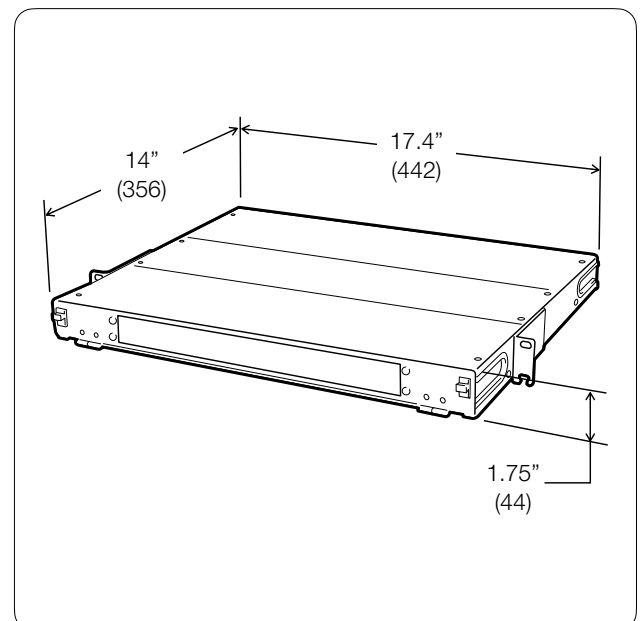
Fiber assemblies or pigtails can be custom ordered and pre-terminated into the patch panel for a complete turn-key solution. Adapter plates may be ordered separately.



FiberLink 1RU Rack Mount Patch Panel

Features

- Hinged door with viewing window
- Large rear cover allows full access to cable storage area
- 16 gauge powder coated steel housing
- Removable sliding tray with multiple stops
- Installer-friendly built-in cable management & splice tray storage
- Holds 3 adapter plates
- Holds 3 fiber splice trays
- Adjustable 19" rack ears, for front or center mounting
- Fiber identification labels included
- Includes accessory kit with mounting hardware
- Compatible with most LGX style adapter plates
- Available unloaded, or pre-loaded with splice trays, adapter plates and fiber pigtails



Dimensions

Ordering Information - Patch Panel Only

Description	Description
FiberLink 1RU Fiber Patch Pane, Rack Mount, 3 LGX Adapter Plate Capacity	PRFL1-1

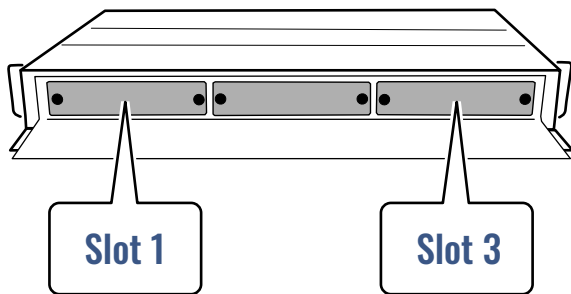
- Fiber Adapter Plates (black) and Splice-on Fiber Pigtails are ordered separately and may be preinstalled prior to shipping.

Ordering Information - Pre-Loaded

Refer to the part number chart below

Ordering with Fiber Adapter Plates, Pigtails, and Splice Trays

Use the ordering code below to order the patch panel with fiber adapter plates and/or pigtails preinstalled, and Splice Trays. Refer to the Fiber Adapter Plate Chart and the Fiber Pigtail Chart on the following pages.



Part Number Example:
PRFL1 - 3 - 32 - 3 - 41 - 3 - 1

Quantity of Adapter Plates (3):	3
Adapter Plate Type (32):	AP-SC6-LDSM-B
Quantity of Fiber Pigtails (3):	3
Fiber Pigtail Type (41):	RLH-12SMSC-03M
Splice Trays (3):	3

PRFL1 - X - XX - X - XX - X - 1

Fiber Adapter Plate Quantity

Enter the quantity of fiber adapter plates required (0 to 3)

Fiber Adapter Plate Type

Use the code from the Adapter Plate Chart* to select the style of adapter plate

– Fiber Adapter Plates will be populated starting at slot 1 –

Splice Trays

Enter the quantity of trays required (0 to 3) for a maximum of 3 trays – *PN: RLH-FST-02*

Fiber Pigtail Type

Use the code from the Fiber Pigtail Chart* to select the style of fiber pigtail

Fiber Pigtail Quantity

Enter the quantity of fiber pigtails required (0 to 3)

* Please refer to the Fiber Adapter Plate Chart and the Fiber Pigtail Chart on the following pages.

Adapter Plate Chart

Use the **Adapter Code** to specify the desired plate style to be preinstalled.

Adapter Plate Style						Supported Fiber Types	Gray Plate Part Number	Adapter Code	
Adapter	Mode	Type	Fibers	Positions	Color				
Blank	-	-	-	-	-	-	AP-BLANK-G	00	
ST	SM	Simplex	6	6	Yellow Caps	OS1/OS2	AP-ST6-LSSM-G	01	
			12	12	Yellow Caps	OS1/OS2	AP-ST12-LSSM-G	03	
	MM	Simplex	6	6	Black Caps	OM1~OM4	AP-ST6-LSMM-G	06	
			12	12	Black Caps	OM1~OM4	AP-ST12-LSMM-G	08	
FC	SM	Simplex	6	6	Yellow Caps	OS1/OS2	AP-FC6-LSSM-G	20	
	MM	Simplex	6	6	Black Caps	OM1/OM2	AP-FC6-LSMM-G	23	
FC/APC	SM	Simplex	6	6	Green Caps	OS1/OS2	AP-FA6-LSSM-G	26	
SC	SM	Simplex	6	6	■ blue	OS1/OS2	AP-SC6-LSSM-G	30	
	SM	Duplex	6	3	■ blue	OS1/OS2	AP-SC3-LDSM-G	43	
			12	6	■ blue	OS1/OS2	AP-SC6-LDSM-G	32	
	MM	Simplex	6	6	■ beige	OM1/OM2	AP-SC6-LSMM-G	33	
	MM	Duplex	6	3	■ beige	OM1/OM2	AP-SC3-LDMM-G	44	
			12	6	■ beige	OM1/OM2	AP-SC6-LDMM-G	35	
SC/APC	SM	Simplex	6	6	■ green	OS1/OS2	AP-SA6-LSSM-G	36	
	SM	Duplex	6	3	■ green	OS1/OS2	AP-SA3-LSSM-G	45	
			12	6	■ green	OS1/OS2	AP-SA6-LDSM-G	38	
SC 10G	MM	Simplex	6	6	■ aqua	OM3/OM4	AP-SC6-LSMX-G	39	
	MM	Duplex	6	3	■ aqua	OM3/OM4	AP-SC3-LSMX-G	42	
			12	6	■ aqua	OM3/OM4	AP-SC6-LDMX-G	41	
LC	SM	Duplex	6	3	■ blue	OS1/OS2	AP-LC3-LDSM-G	51	
			12	6	■ blue	OS1/OS2	AP-LC6-LDSM-G	52	
	MM	Quad	24	6	■ blue	OS1/OS2	AP-LC6-LQSM-G	54	
		Duplex	6	3	■ beige	OM1/OM2	AP-LC3-LDMM-G	56	
			12	6	■ beige	OM1/OM2	AP-LC6-LDMM-G	57	
LC/APC	SM	Quad	24	6	■ beige	OM1/OM2	AP-LC6-LQMM-G	59	
			Duplex	6	3	■ green	OS1/OS2	AP-LA3-LDSM-G	61
				12	6	■ green	OS1/OS2	AP-LA6-LDSM-G	62
LC 10G	MM	Quad	24	6	■ green	OS1/OS2	AP-LA6-LQSM-G	64	
			Duplex	6	3	■ aqua	OM3/OM4	AP-LC3-LDMX-G	66
				12	6	■ aqua	OM3/OM4	AP-LC6-LDMX-G	67
				24	6	■ aqua	OM3/OM4	AP-LC6-LQMX-G	69
Unshielded CAT6 RJ-45	-	Coupler	-	4	■ black	-	AP-RJCAT6-CP4-G	90	
	-	Punchdown	-	4	■ black	-	AP-RJCAT6-PD4-G	91	
	-	Coupler	-	6	■ black	-	AP-RJCAT6-CP6-G	92	
Shielded CAT6 RJ-45	-	Coupler	-	4	■ Metallic	-	AP-RJCAT6S-CP4-G	94	
	-	Punchdown	-	4	■ Metallic	-	AP-RJCAT6S-PD4-G	95	
	-	Coupler	-	6	■ Metallic	-	AP-RJCAT6S-CP6-G	97	
	-	Punchdown	-	6	■ Metallic	-	AP-RJCAT6S-PD6-G	98	



Fiber Pigtail Chart

Use the **Pigtail Code** to specify the desired 900µm Spiral Wrap Splice-on Fiber Pigtail to be preinstalled.

900µm Spiral Wrap Splice-on Pigtail				Part Number	Pigtail Code			
Adapter	Mode	Fibers	Fiber Type					
N/A	N/A	N/A	N/A	NONE	00			
ST	SM	6	OS1/OS2	RLH-06SMST-03M	01			
		12	OS1/OS2	RLH-12SMST-03M	02			
	MM	6	OM1	RLH-06MMST-03M	06			
			OM2	RLH-06M5ST-03M	07			
			OM3	RLH-06MXST-03M	08			
			OM4	RLH-06MCST-03M	09			
		12	OM1	RLH-12MMST-03M	12			
			OM2	RLH-12M5ST-03M	13			
			OM3	RLH-12MXST-03M	14			
			OM4	RLH-12MCST-03M	15			
			FC	SM	6	OS1/OS2	RLH-06SMFC-03M	20
					12	OS1/OS2	RLH-12SMFC-03M	21
	MM	6		OM1	RLH-06MMFC-03M	23		
				OM2	RLH-06M5FC-03M	24		
				OM3	RLH-06MXFC-03M	25		
OM4			RLH-06MCFC-03M	26				
12		OM1	RLH-12MMFC-03M	28				
		OM2	RLH-12M5FC-03M	29				
		OM3	RLH-12MXFC-03M	30				
		OM4	RLH-12MCFC-03M	31				
FC/APC	SM	6	OS1/OS2	RLH-06SMFA-03M	33			
12		OS1/OS2	RLH-12SMFA-03M	34				
SC	SM	6	OS1/OS2	RLH-06SMSC-03M	40			
		12	OS1/OS2	RLH-12SMSC-03M	41			
	MM	6	OM1	RLH-06MMSC-03M	43			
			OM2	RLH-06M5SC-03M	44			
			OM3	RLH-06MXSC-03M	45			
			OM4	RLH-06MCSC-03M	46			
		12	OM1	RLH-12MMSC-03M	48			
			OM2	RLH-12M5SC-03M	49			
			OM3	RLH-12MXSC-03M	50			
			OM4	RLH-12MCSC-03M	51			
			SC/APC	SM	6	OS1/OS2	RLH-06SMSA-03M	53
12	OS1/OS2	RLH-12SMSA-03M	54					
LC	SM	6	OS1/OS2	RLH-06SMLC-03M	60			
		12	OS1/OS2	RLH-12SMLC-03M	61			
		24	OS1/OS2	RLH-12SMLC-03M (2)	62			
		OM1	RLH-06MMLC-03M	63				
	MM	6	OM2	RLH-06M5LC-03M	64			
			OM3	RLH-06MXLC-03M	65			
			OM4	RLH-06MCLC-03M	66			
			OM1	RLH-12MMLC-03M	68			
		12	OM2	RLH-12M5LC-03M	69			
			OM3	RLH-12MXLC-03M	70			
			OM4	RLH-12MCLC-03M	71			
			OM1	RLH-12MMLC-03M (2)	73			
			OM2	RLH-12M5LC-03M (2)	74			
			OM3	RLH-12MXLC-03M (2)	75			
24	OM4	RLH-12MCLC-03M (2)	76					
	OM1	RLH-06SMLA-03M	78					
	12	OS1/OS2	RLH-12SMLA-03M	79				
LC/APC	SM	24	OS1/OS2	RLH-12SMLA-03M (2)	80			



General Specifications

Adapter Plates	LGX® compatible adapter plates, up to 24 fibers each plate
	Accommodates up to 3 adapter plates - refer to adapter plate chart
Splice Trays	24 Fiber Splice Tray (RLH-FST-02)
	Accommodates up to 3 trays
Mounting Style	EIA 19" Equipment Rack, 2 position rack ears for front or center mount
Construction	Powder Coated 16 gauge steel housing
	Removable sliding tray with multiple stops
	Hinged front door with finger latches and polycarbonate window
	Hinged rear door with finger latches
	Removable top access panels
Accessory Kit	Qty. 4: Cage nut mounting hardware sets
	Qty. 4: Laser warning label
	Qty. 4: Hook and loop cable ties
	Qty. 10: 6" white zip ties
	Qty. 1: Location label
Dimensions	17.4" (W) x 14" (D) x 1.75" (H), (442mm x 356mm x 44mm)
	*Not including rack ears

Contact

By Mail:	ATTN: Sales RLH Industries, Inc. 936 N. Main Street Orange, CA 92867	
By Phone:	Local	714-532-1672
Sales/Service	Toll Free	800-877-1672
By Email:	info@fiberopticlink.com	
By Fax:	714-532-1885	

Support

By Email:	support@fiberopticlink.com
By Phone:	Toll Free 855-754-2497