

## USER GUIDE

### 18" x 16" x 10" – Fiberglass Enclosure

#### Small Outdoor Weatherproof Fiberglass Equipment Enclosure

This NEMA 4X fiberglass reinforced polyester enclosure features a fire treated and painted plywood backboard for easy field installation of communication devices and equipment in indoor or outdoor environments. The enclosure is UL Listed, non-corrosive, non-conductive, light weight, and easy to modify. The added water and dust proof NEMA 4X vents provide convection cooling to further protect installed equipment. Enclosures can be secured with a padlock and easily installed onto a wall or strut mounting.

Customized enclosures and turn-key solutions to fit your specific applications needs are available from the RLH Industries design group. Please contact an RLH sales representative for more information about our enclosure modification and design program.



18" x 16" x 10" – Fiberglass Enclosure

### Key Features

- Weatherproof design for outdoor use
- Heavy duty fiberglass enclosure
- Fire treated and painted 3/4" plywood backboard
- Polyurethane gasket for weathertight door seal
- Weatherproof NEMA 4X side and bottom vents
- 7 position ground bar, accepts #10 to #1/0 AWG ground wire
- Two stainless steel pad lockable latches
- Wall/Strut mounting flange, optional pole mount kit available
- Factory installed options available: include fans, heaters, thermostats, and more
- Made in USA



Open Showing Backboard

### Enclosure Features



## USER GUIDE

[www.fiberopticlink.com](http://www.fiberopticlink.com)

### Ordering Information

Description	Part Number
18" x 16" x 10" Fiberglass Enclosure with Treated 3/4" Wood backboard	RLH-181610-F-1

### Key Specifications

#### Construction

Material:	Fiberglass
Weight Enclosure:	18 lbs. / 8.2kg
Exterior Dimensions:	17.6" (W) x 9.6" (D) x 19.3" (H), (448mm x 244mm x 491mm) *not including pole mount bracket
Usable interior Depth:	6.7" to 8.0" (varies with document pocket on door)
Venting:	NEMA 4X Vents to provide air circulation, 1 side vent, 1 bottom vent

#### Mounting

Wall/Strut Mounting via Molded Flange  
Accommodates 1/4" bolt for wall or strut mounting

#### Access

Hinged door with weatherproof gasket seal  
Pad lockable latches

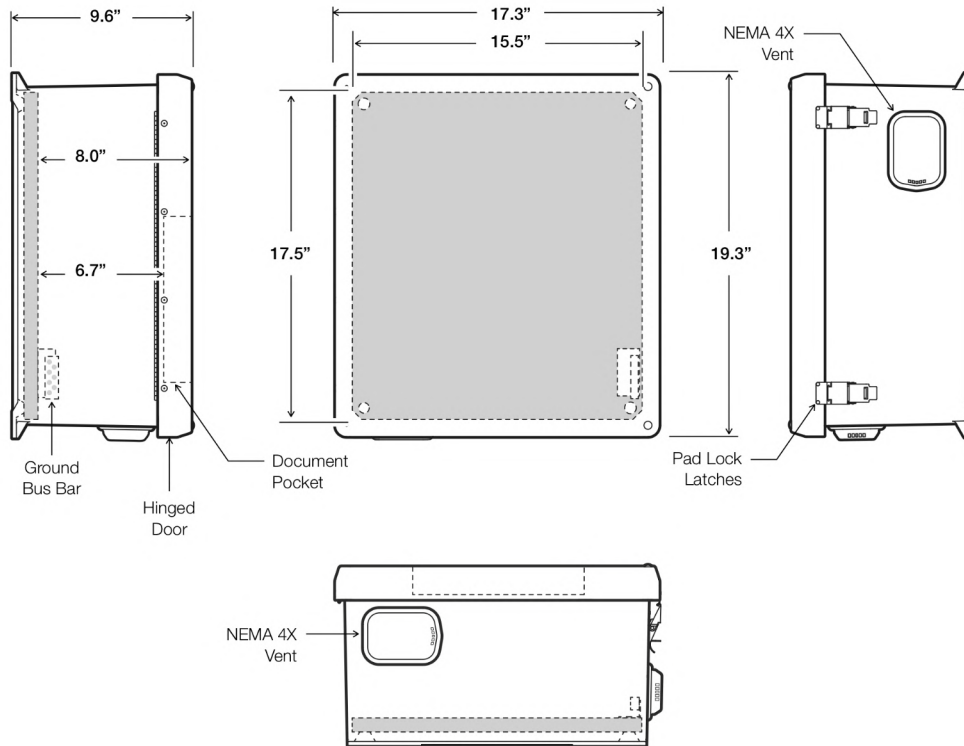
#### Interior Details

Usable Backboard:	15.5" (W) x H 17.5" (H)
Backboard Type:	3/4" thick fire treated, painted plywood
Ground Bus:	7 position ground wire capacity (Qty. 4 – #10 to #6 AWG, Qty. 3 – #10 to #1/0 AWG)

### USER GUIDE

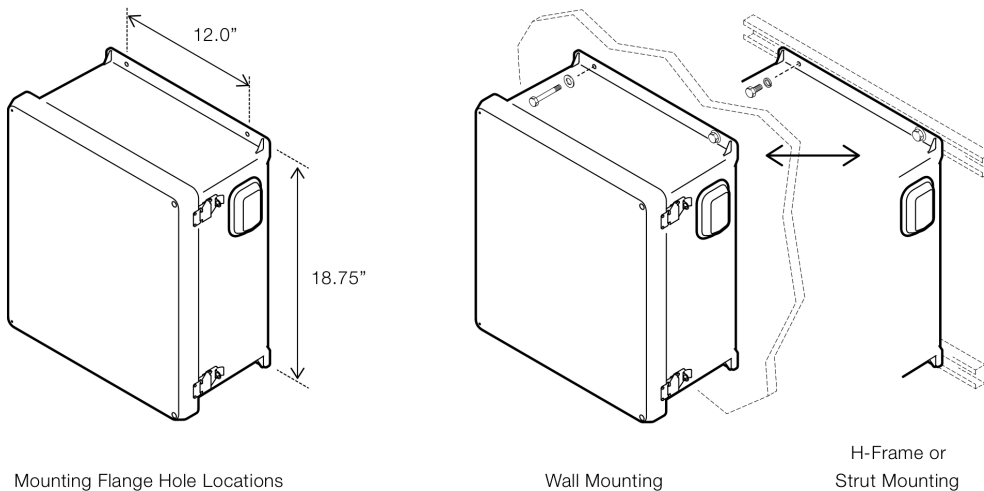
### Dimensions

Use the drawing below for external dimensions, features, and internal equipment space.



### Wall Mounting

Locate the mounting holes on the mounting flange of the enclosure and use appropriate hardware for application.



## USER GUIDE

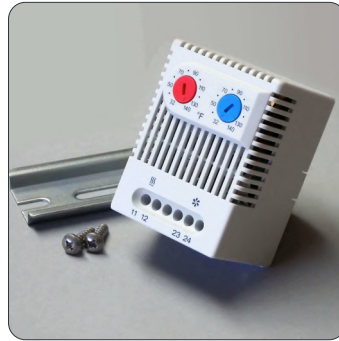
[www.fiberopticlink.com](http://www.fiberopticlink.com)

### Optional Equipment

RLH fiberglass enclosures are available with optional equipment for specific applications through our factory modification service. Please contact an RLH sales representative for additional information.



Auxilliary Fan Kits



Combination Heater/Fan Kits



Heater Kits



Standard Mini Fan Kits

### Contact

By Mail:

Att: Sales  
RLH Industries, Inc.  
936 N. Main St.  
Orange, CA 92867

By Phone:

Sales / Service  
Mon - Fri, 6am - 6pm, PST

Local 714-532-1672

Toll Free 800-877-1672  
866-DO-FIBER

By Email:

[info@fiberopticlink.com](mailto:info@fiberopticlink.com)

By FAX:

714-532-1885

### Tech Support

By Email:

[support@fiberopticlink.com](mailto:support@fiberopticlink.com)

By Phone:

Toll Free 855-754-2497  
855-RLH-24X7