

4

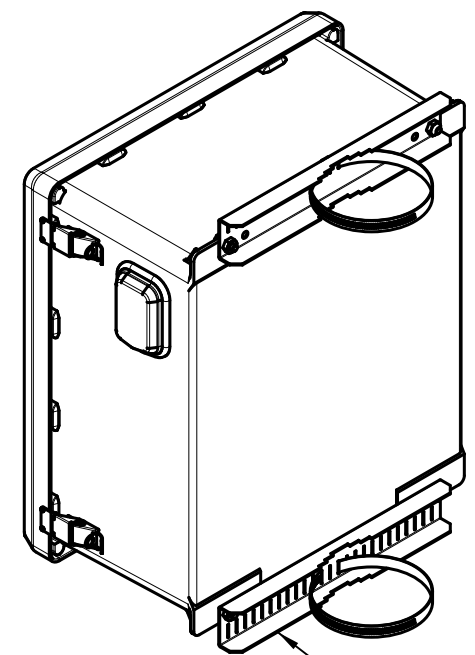
3

2

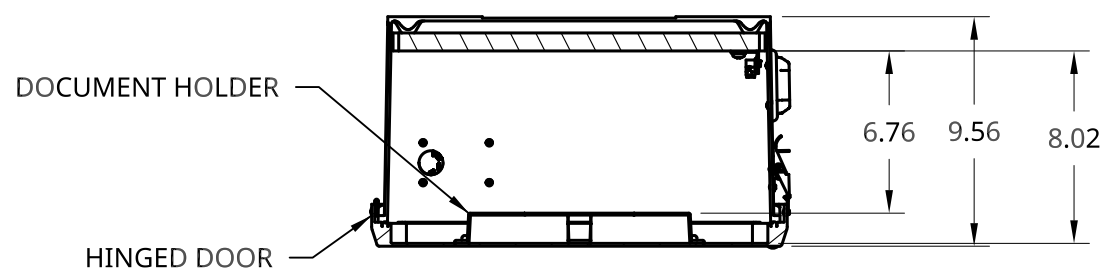
1

D

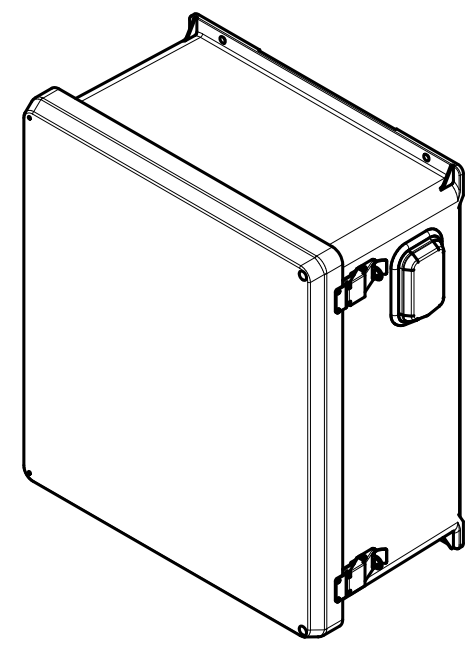
D



POLE MOUNT KIT  
(PMK-181610-F-1)

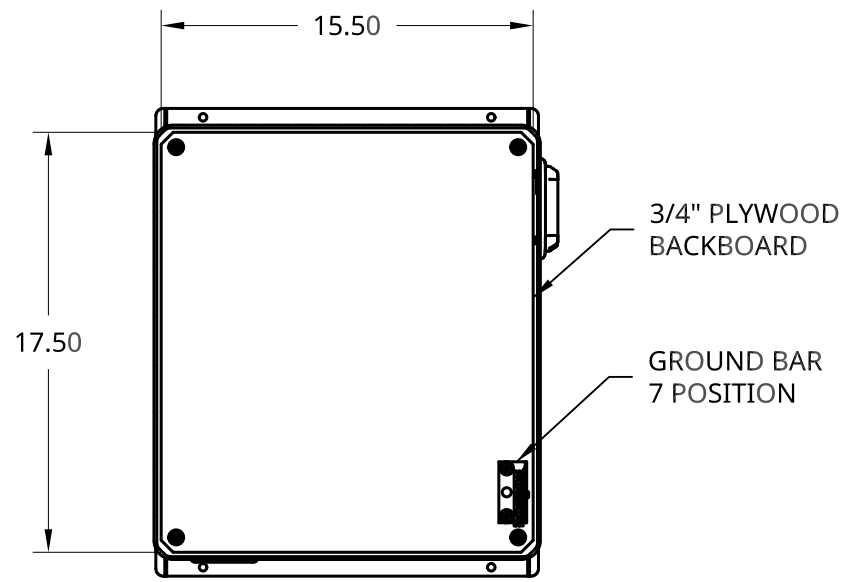


SECTION A - A  
INTERNAL VIEW

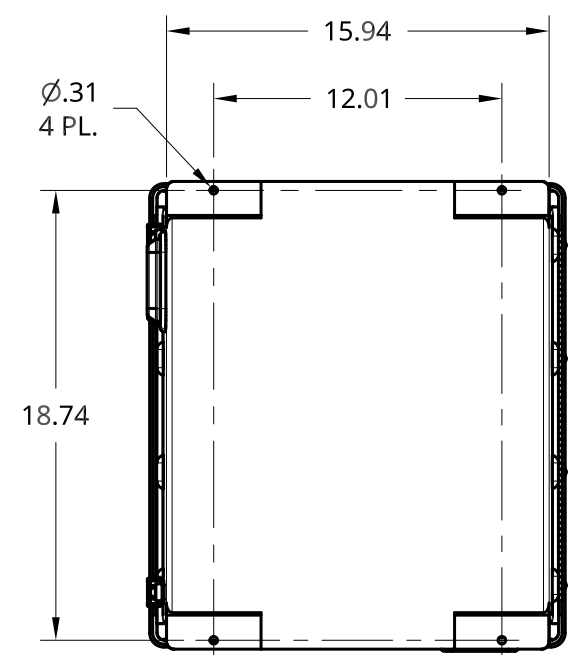
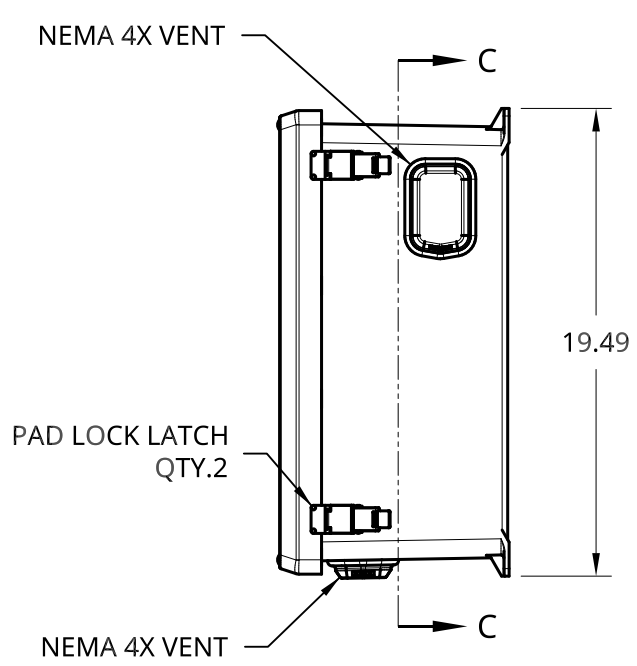
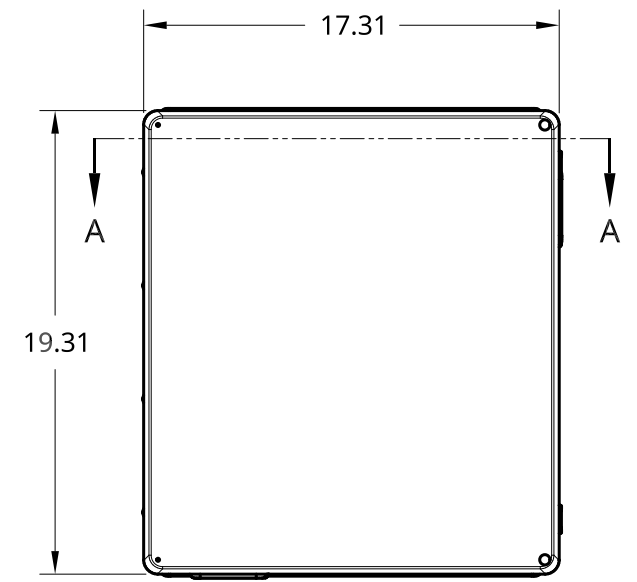


C

C



SECTION C - C  
INTERNAL VIEW & FEATURES



B

B

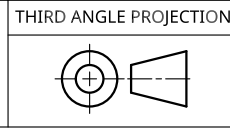
A

A

TITLE			
18X16X10 FIBERGLASS ENCLOSURE			
SIZE	DWG NO.	REV.	
B	CD-356	A	
SCALE	DRAWN	SHEET	
1:8	DAVID HARRIS	1 of 1	



FIBER OPTIC LINK



4

3

2

1