

DATA SHEET

www.fiberopticlink.com

DS-M059 2024-11-20

155M SFP Transceiver

Industrial Small Form Factor Pluggable

RLH Industrial Small Form Factor Pluggable (SFP) Optical Transceivers comply with the Small Form Factor Pluggable Multi-Sourcing Agreement (MSA) and are certified for use in RLH SFP products.

These 155M SFP Transceivers are available in 2km, 20km, 60km, & 100km transmission ranges for a variety of applications.



Key Features

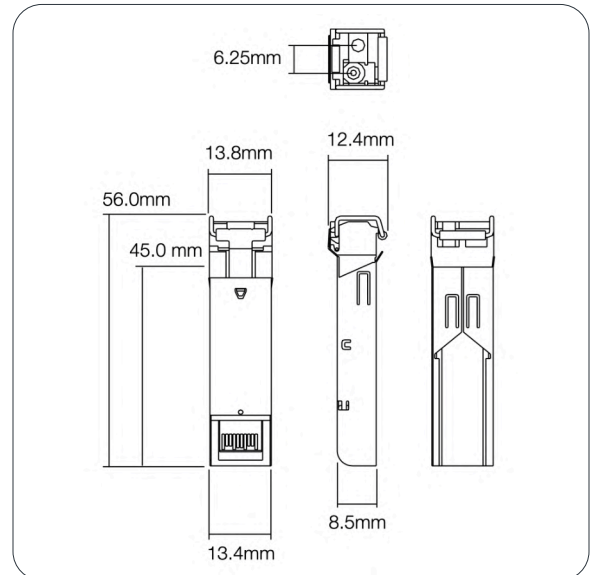
- Hot-pluggable
- Uncooled laser transmitter
- Hardened to operate in -40°F to +185°F (-40°C to +85°C)
- Single and dual fiber options available
- Class 1 laser safety standards
- Digital Diagnostic Monitoring (DDM)
- RoHS compliant SFP MSA(INF-8074i)
- SFF MSA (INF-8074i)
- IEEE802.3ah 100Base-LX10
- 155Mbps ITU-T G.957 STM-1
- 155Mbps SONET OC-3

Key Specifications

Operating Supply Voltage:	3.3V Typical (3.1V~3.5V)
Operating Temperature:	-40°F to +185°F (-40°C to +85°C) *SFP-1G-34-2 (120km, SM) is rated from -4°F to +185°F (-20°C to +85°C)
Power Supply Current:	150mA Typical (300mA max)
Data Rates:	155Mbps



155M SFP Transceiver



Dimensions

DATA SHEET

www.fiberopticlink.com

Ordering Information

Mode	Connector	Distance	Fibers	Wavelength	Part Number
Multimode	LC	2km/1.2 miles	Dual Fiber	1310nm	SFP-155-04-2
Singlemode	LC	20km/12.4 miles	Dual Fiber	1310nm	SFP-155-30-2
Singlemode	LC	60km/37 miles	Dual Fiber	1310nm	SFP-155-31-2
Singlemode	LC	100km/62 miles	Dual Fiber	1550nm	SFP-155-34-2
Singlemode	LC	20km/12.4 miles	Single Fiber – Side A	T-1310/R-1550	SFP-155-20-2
Singlemode	LC	20km/12.4 miles	Single Fiber – Side B	R-1310/T-1550	SFP-155-21-2
Singlemode	LC	60km/37 miles	Single Fiber – Side A	T-1310/R-1550	SFP-155-24-2
Singlemode	LC	60km/37 miles	Single Fiber – Side B	R-1310/T-1550	SFP-155-25-2

- Single fiber (bi-directional) SFP transceivers must always be paired, side A and side B
- Part numbers with "SFPD" prefix include Digital Diagnostic Monitoring (DDM)

Optical Characteristics

		Transmitter Specifications					Receiver Specifications			
		Avg. Output Power (dBm)		Wavelength (nm)			Wavelength (nm)		Sensitivity (dBm)	
		Min	Max	Min	Typical	Max	Min	Max	Min	Max
Multimode	2km	-20	-10	1260	1310	1360	1100	1600	-30	-8
Singlemode	20km	-14	-7	1260	1310	1360	1100	1600	-34	-3
	60km	-3	+2	1260	1310	1360	1100	1600	-34	-3
	120km	-3	+2	1480	1550	1580	1100	1600	-36	-3
Singlemode (single fiber)	Side A 20km	-14	-7	1480	1550	1580	1260	1360	-34	-3
	Side B 20km	-14	-7	1260	1310	1360	1480	1600	-34	-3
	Side A 60km	-5	0	1480	1550	1580	1260	1360	-34	-3
	Side B 60km	-5	0	1260	1310	1360	1480	1600	-34	-3

DATA SHEETwww.fiberopticlink.com**Contact**

By Mail:	Att: Sales RLH Industries, Inc. 936 N. Main St. Orange, CA 92867
----------	---

By Phone: Sales / Service Mon - Fri, 6am - 6pm, PST	Local	714-532-1672
	Toll Free	800-877-1672 866-DO-FIBER

By Email:	info@fiberopticlink.com
-----------	--

By FAX:	714-532-1885
---------	--------------

Tech Support

By Email:	support@fiberopticlink.com
-----------	--

By Phone:	Toll Free	855-754-2497 855-RLH-24X7
-----------	-----------	------------------------------