



12/24 Fiber Splice Tray

RLH-FST-06

Stackable Fiber Splice Tray

Splice trays provide protection and organization of fiber splices and are typically used in fiber patch panels. Fiber sleeve holders are molded into the tray along with cable guides for easy fiber routing. These compact trays snap together with built-in hinges, ensuring organization and easy access to any tray without the need for removal.

RLH Splice trays accept 2.6mm diameter fusion splice protection sleeves.

Specifications

Dimensions: 6.7”(L) x 4.6”(W) x 0.3”(H), (171mm x 117mm x 8.5mm)

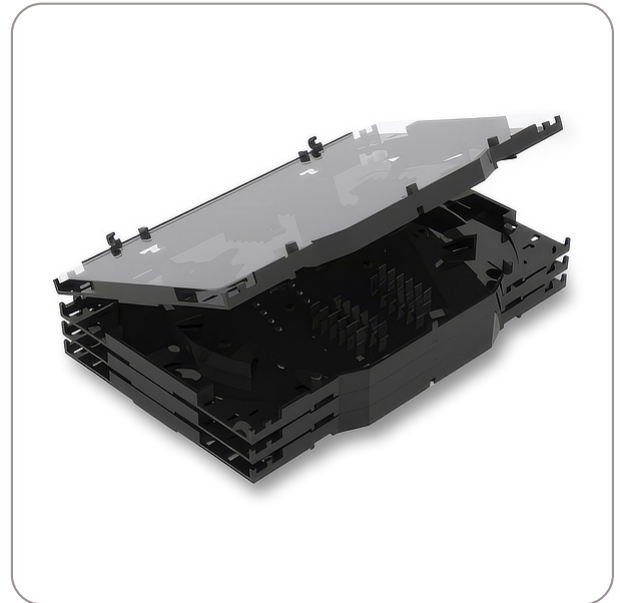
Material: ABS (Acrylonitrile Butadiene Styrene)

Key Features

- Lightweight plastic-molded tray
- 12 or 24 Fiber Splice Capacity
- Clear plastic cover
- For use with 40mm splice sleeves
- Built-in, splice sleeve holders
- Trays snap together with built-in hinges
- Easily access any tray in the stack

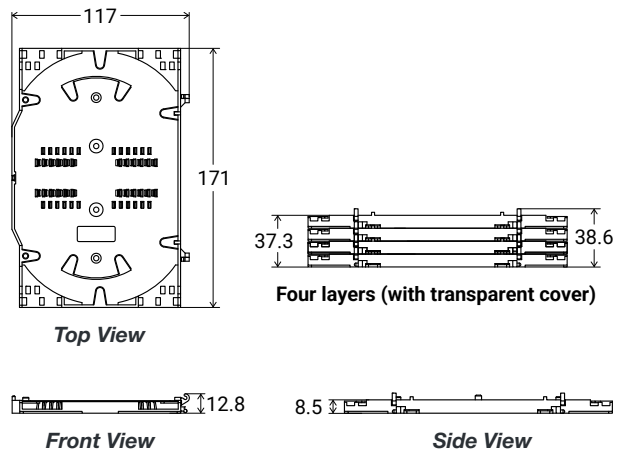
Compatibility

- **SCORP4:** 4 Plate Wall Mount Fiber Patch Panel
- **WMP8:** 8 Plate Wall Mount Fiber Patch Panel
- **MANTA2/4:** Manta 1RU Fiber Patch Panel
Manta 2RU Fiber Patch Panel
- **PRFL1/2:** FiberLink 1RU Rack Mount Fiber Patch Panel
FiberLink 2RU Rack Mount Fiber Patch Panel
- **HIPPO4-1:** HIPPO 4 Plate Fiber Patch Panel
- **2.6mm Splice Sleeves:** 40mm Length - FUSIONSS-40MM-XXX
60mm Length - FUSIONSS-60MM-XXX



12/24 Fiber Splice Tray

Dimensions



Ordering Information

Description	Part Number
12/24 Stackable Fiber Splice Tray	RLH-FST-06
12/24 Stackable Fiber Splice Tray with 30 Splice Sleeves	RLH-FST-06-FSPS