

AC/DC Dual Output Switching Power Supply

DIN MOUNTED HOUSING WITH
48VDC & 12VDC OUTPUT POWER

Description

The AC/DC Dual Output DIN rail mounted power supply is a compact switching supply designed to convert AC power (115VAC) to regulated 48VDC and 12VDC output to power a wide range of industrial equipment.

Each internal regulated power supply section is separate and independent of the other power section, allowing for maximum efficiency and operation. A power indicator is located to the right side of each output terminal section so the performance and operation may be quickly assessed.

It has low output ripple along with short circuit, over-voltage, and overload protection. The fanless convection cooled design, and wide operating temperature range with high efficiency makes this a perfect solution for industrial and critical applications.

The rugged AC/DC Dual Output Power Supply is proudly made in the U.S.A., and features a tough aluminum alloy frame with powder coated galvanized steel housing for superior corrosion resistance.



AC/DC Dual Output Power Supply

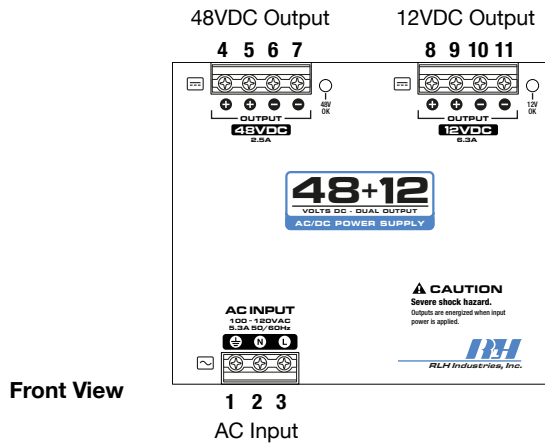
Standard Features

- Short circuit, overload, over-voltage & temp. protection
- 48VDC & 12VDC output terminals
- Built in active PFC function
- Cooling by free air convection
- May be installed on DIN rail TS-35 or wall mounted
- Individual LED power indicators for each output
- 100% full load burn-in test
- Convenient screw down terminals

Made in the U.S.A

Connection Terminals and Voltage Adjustment

Input / Output Terminals



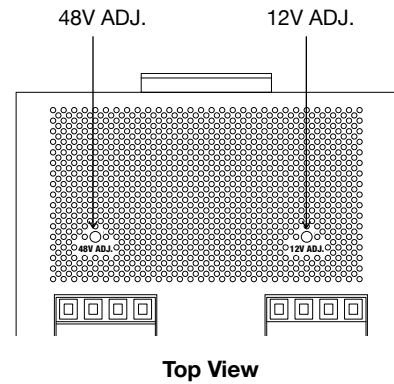
AC Terminals - Input

No.	Description
1	FG \oplus
2	N
3	L

DC Terminals - Output

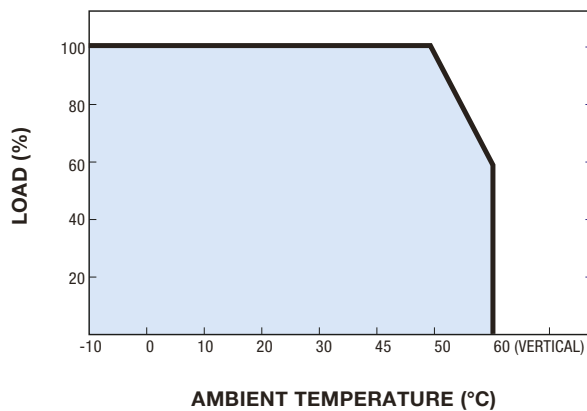
No.	Description
4, 5	DC Output +48V
6, 7	DC Output -48V
8, 9	DC Output +12V
10, 11	DC Output -12V

Output Voltage Adjustment

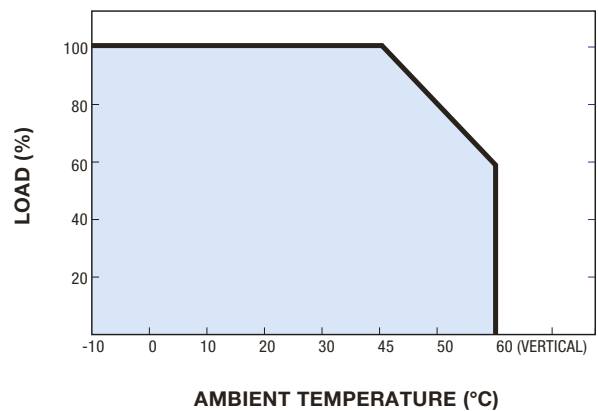


Output Derating Curves

48V Output Derating Curve



12V Output Derating Curve



Specifications

		12VDC OUTPUT	48V DC OUTPUT
DC OUTPUT	DC VOLTAGE	12V	48V
	RATED CURRENT	6.3A	2.5A
	CURRENT RANGE	0 ~ 6.3A	0 ~ 2.5A
	RATED POWER	76W	120W
	RIPPLE & NOISE (max.) Note 1	100mVp-p	100mVp-p
	VOLTAGE ADJ. RANGE	12 ~ 14V	48~53V
	VOLTAGE TOLERANCE Note 2	±2.0%	±1.0%
	LINE REGULATION	±0.5%	±0.5%
	LOAD REGULATION	±1%	±1%
	SETUP, RISE TIME	1800ms, 60ms/115VAC at full load	500ms, 70ms/115VAC at full load
	HOLD UP TIME (Typ.)	12ms/115VAC at full load	32ms/115VAC at full load
INPUT	VOLTAGE RANGE	100~120VAC	
	FREQUENCY RANGE	50~60Hz	
	EFFICIENCY (Typ.)	76%	85%
	AC CURRENT (Typ.)	5.3A/115V	
	INRUSH CURRENT (Typ.)	Cold Start 20A/115VAC	
	LEAKAGE CURRENT	<3.5mA	
PROTECTION	OVERLOAD	105 ~ 150% rated output power Protection type : Constant current limiting, recovers automatically after fault condition is removed	
	OVER VOLTAGE	15~16.5V	58~65V Protection type : Shut down o/p voltage, re-power on to recover
	OVER TEMPERATURE	85°C ±5°C (TSW1) detect on heat sink of power transistor Protection type : Shut down o/p voltage, recovers automatically after temperature goes down	
ENVIRONMENT	DIMENSIONS	5.0" H x 5.8" W x 3.7" D (127mm x 147mm x 94mm)	
	WORKING TEMP.	-10°C~ +60°C (Refer to output load derating curve)	
	WORKING HUMIDITY	20 ~ 90% RH non-condensing	
	STORAGE TEMP., HUMIDITY	-20°C ~ +85°C, 10 ~ 95% RH	
	TEMP. COEFFICIENT	±0.03%/°C (0 ~ 50°C)	
SAFETY	WITHSTAND VOLTAGE	I/P-O/P:3KVAC, I/P-FG:1.5KVAC, O/P-FG:0.5KVAC	
	ISOLATION RESISTANCE	I/P-O/P, I/P-FG, O/P-FG:100M Ohms/500VDC	

Note

1. Ripple & noise are measured at 20MHz of bandwidth by using a 12" twisted pair-wire terminated with a 0.1uf & 47uf parallel capacitor.
2. Tolerance : includes set up tolerance, line regulation and load regulation.
3. The power supply is considered a component which will be installed into a final equipment.

Ordering Information

Description	AC Input	DC Output 1	DC Output 2	Part Number
AC/DC Dual Output Switching Power Supply	100-120VAC, 5.3A	48VDC, 2.5A	12VDC, 6.3A	RLH-D-ACDC-4812-2

► Please contact your RLH sales representative for pricing and delivery information

Technical Support

Normal technical support: (Mon - Fri 6am - 6pm PST)	Local (714) 532-1672 Toll Free (800) 877-1672 Toll Free (866) DO-FIBER
24/7 Technical support:	(714) 396-8982 (714) 457-5740

Contact Information

Corporate Headquarters:	RLH Industries, Inc. 936 N. Main Street Orange, CA 92867 USA
Phone:	Local (714) 532-1672 Toll Free (800) 877-1672 Toll Free (866) DO-FIBER
Fax:	(714) 532-1885
Email:	info@fiberopticlink.com
Web site:	www.fiberopticlink.com



RLH Industries, Inc.
936 N. Main Street, Orange, CA 92867 USA
T: (714) 532-1672
F: (714) 532-1885

Please contact your RLH sales representative
for pricing and delivery information.

Specifications subject to change without notice.