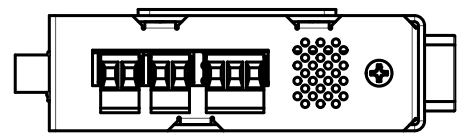


4

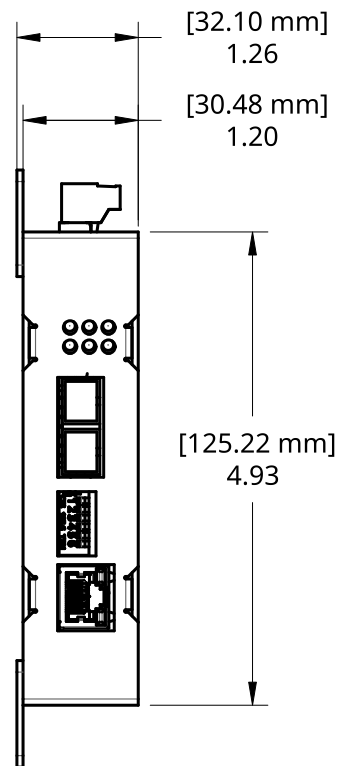
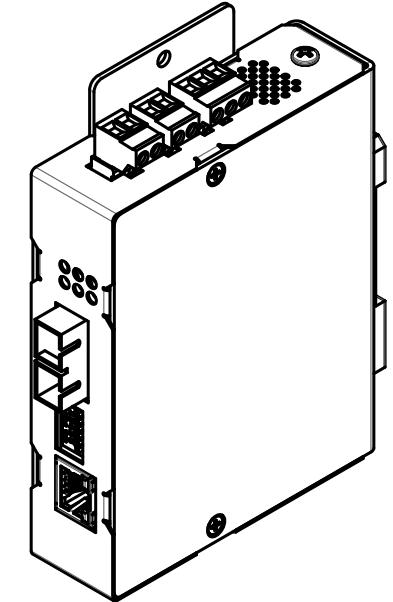
3

2

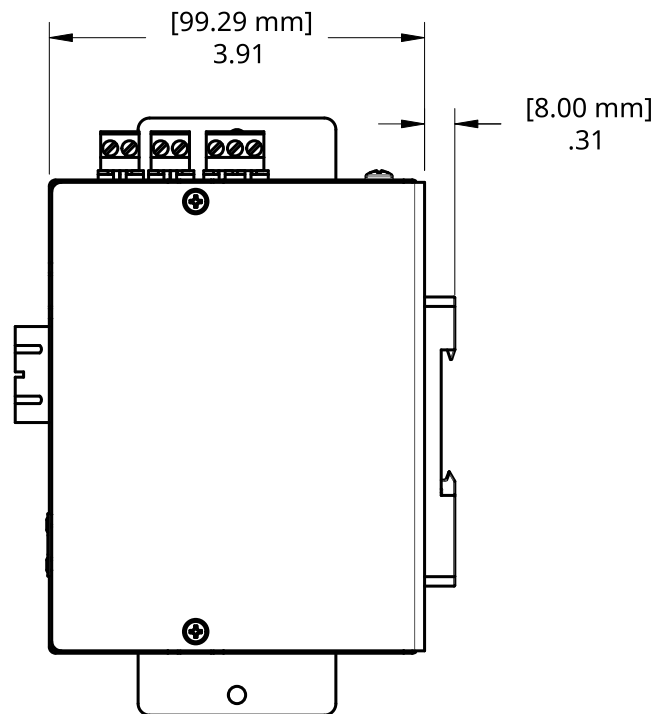
1



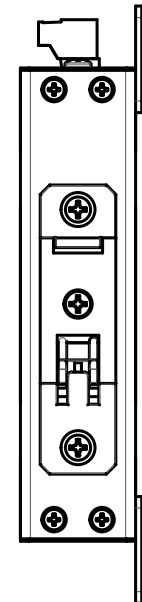
TOP VIEW



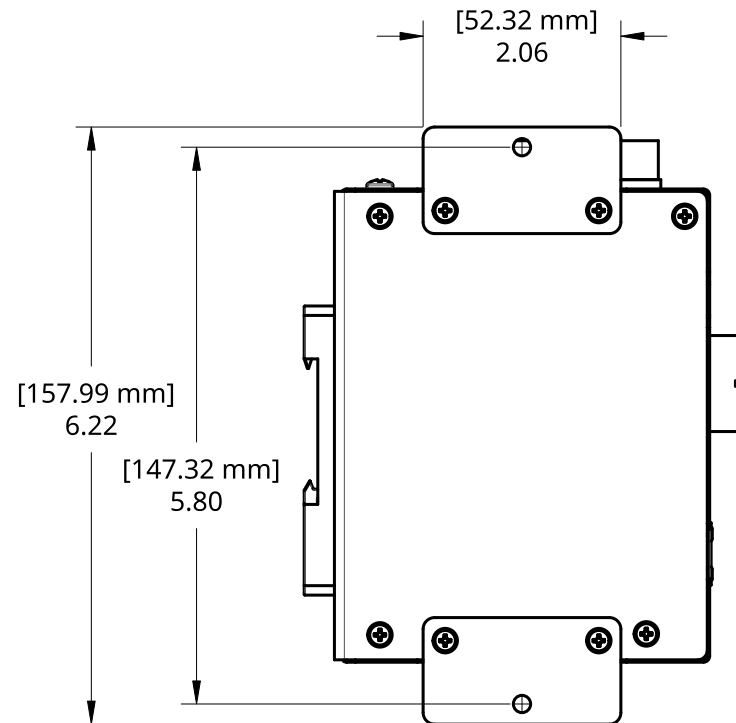
FRONT VIEW



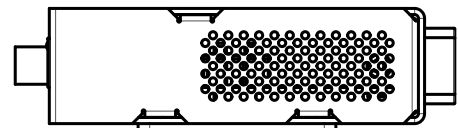
RIGHT VIEW



REAR VIEW



LEFT VIEW

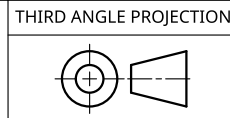


BOTTOM VIEW

TITLE			
EFD-XX-2-Wall - Rev E			
SIZE	DWG NO.	REV.	
B	CD-394	A	
SCALE	WEIGHT	SHEET	1 of 1
1:2			



FIBEROPTICLINK



4

3

2

1

D

D

C

C

B

B

A

A