

4

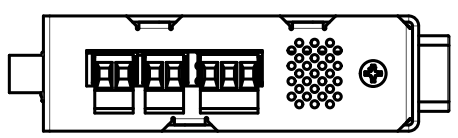
3

2

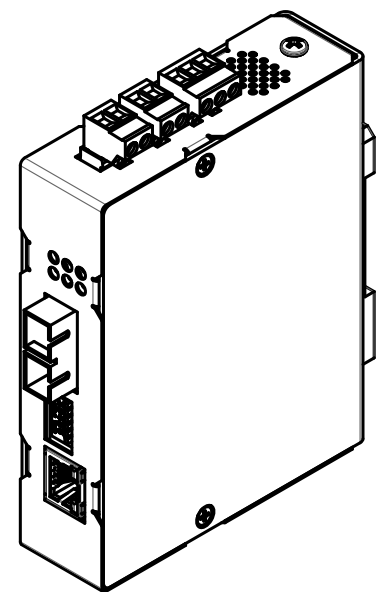
1

D

D

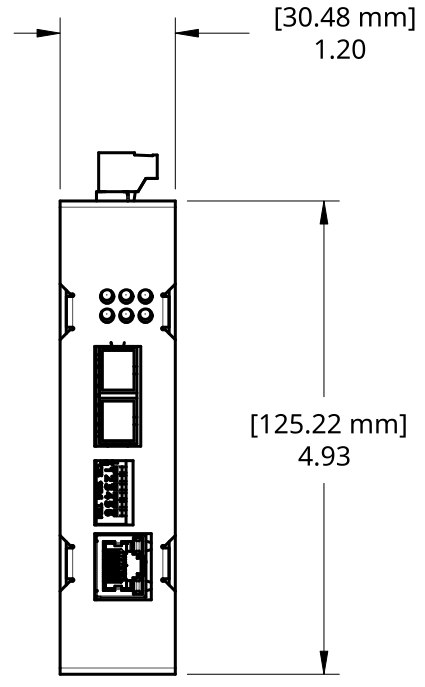


TOP VIEW

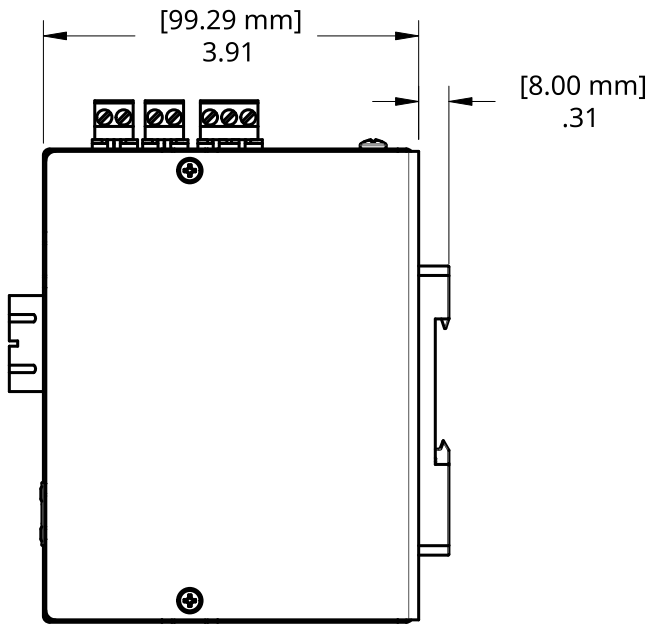


C

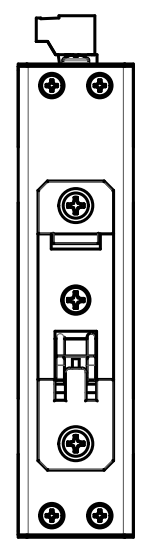
C



FRONT VIEW



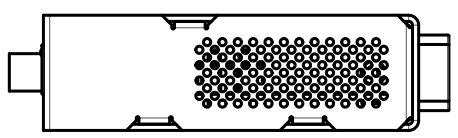
SIDE VIEW



REAR VIEW

B

B



BOTTOM VIEW

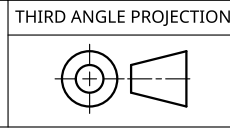
A

A

TITLE			
EFD-XX-2-DIN - Rev E			
SIZE	DWG NO.	REV.	
B	CD-381	A	
SCALE	WEIGHT	SHEET	
1:2		1 of 1	

**RLH**  
RLH Industries, Inc.

**FIBEROPTICLINK**



4

3

2

1