

## DATA SHEET

www.fiberopticlink.com

DS-M058 2023-10-10

### 1.25Gbit SFP Transceiver

#### Industrial Small Form Factor Pluggable

RLH Industrial Small Form Factor Pluggable (SFP) Optical Transceivers are compatible with the Small Form Factor Pluggable Multi-Sourcing Agreement (MSA).

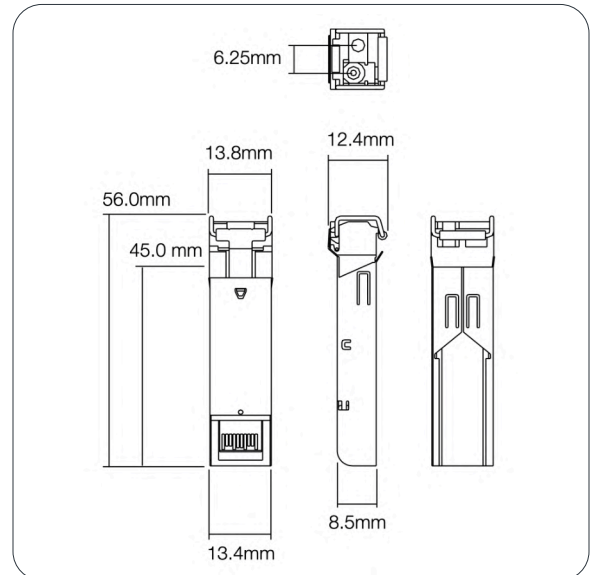
These 1.25Gbit SFP Transceivers are available in transmission ranges from 300m to 60km for a variety of applications.



1.25Gbit SFP Transceiver

### Key Features

- Hot-pluggable
- Uncooled laser transmitter
- Hardened to operate in -40°F to +185°F (-40°C to +85°C)
- Single and dual fiber options available
- RoHS compliant
- SFF MSA (INF-8074i)
- IEEE 802.3/z/ah
- 1000Base-FX, -SX, -SX+, -LX, -ZX, -EZ, -BX20, -BX60
- Ideal for Gigabit Ethernet, switch interfaces, backbone and high speed router/server applications



Dimensions

### Key Specifications

<b>Operating Supply Voltage:</b>	3.3V Typical (3.1V~3.5V)
<b>Operating Temperature:</b>	-40°F to +185°F (-40°C to +85°C) *SFP-1G-34-2 (120km, SM) is rated from -4°F to +185°F (-20°C to +85°C)
<b>Power Supply Current:</b>	150mA Typical (300mA max)
<b>Data Rates:</b>	1.25Gbps

## DATA SHEET

www.fiberopticlink.com

### Ordering Information

Mode	Connector	Distance	Fibers	Wavelength	Part Number
Multimode	LC	550m/1804 feet	Dual Fiber	850nm	SFP-1G-03-2
Multimode	LC	2km/1.2 miles	Dual Fiber	1310nm	SFP-1G-04-2
Singlemode	LC	20km/12.4 miles	Dual Fiber	1310nm	SFP-1G-30-2
Singlemode	LC	60km/37 miles	Dual Fiber	1550nm	SFP-1G-31-2
Singlemode	LC	120km/74 miles	Dual Fiber	1550nm	SFPD-1G-34-2
Singlemode	LC	20km/12.4 miles	Single Fiber – Side A	T-1310/R-1550	SFP-1G-20-2
Singlemode	LC	20km/12.4 miles	Single Fiber – Side B	R-1310/T-1550	SFP-1G-21-2
Singlemode	LC	60km/37 miles	Single Fiber – Side A	T-1310/R-1550	SFPD-1G-24-2
Singlemode	LC	60km/37 miles	Single Fiber – Side B	R-1310/T-1550	SFPD-1G-25-2
Cat5/6/7	RJ-45	100m/328 feet	N/A	N/A	SFP-1G-RJ-2

- Single fiber (bi-directional) SFP transceivers must always be paired, side A and side B
- Part Numbers with "SFPD" prefix include Digital Diagnostic Monitoring (DDM)

### Optical Characteristics

		Transmitter Specifications					Receiver Specifications			
		Avg. Output Power (dBm)		Wavelength (nm)			Wavelength (nm)		Sensitivity (dBm)	
		Min	Max	Min	Typical	Max	Min	Max	Min	Max
Multimode	550m	-9.5	-4	830	850	860	770	860	-3	-17
	2km	-9	-1	1270	1310	1355	1260	1610	-1	-19
Singlemode	20km	-8	-2	1285	1310	1343	1270	1355	-1	-23
	60km	-2	+3	1520	1550	1580	1200	1600	-3	-24
	120km	0	+5	1530	1550	1570	1260	1610	-9	-30
Singlemode (single fiber)	Side A 20km	-8	-2	1270	1310	1355	1480	1500	-2	-23
	Side B 20km	-8	-2	1480	1490	1500	1260	1360	-2	-23
	Side A 60km	0	+5	1260	1310	1360	1480	1500	-1	-24
	Side B 60km	0	+5	1480	1490	1500	1260	1360	-1	-24

**DATA SHEET**[www.fiberopticlink.com](http://www.fiberopticlink.com)**Contact**

---

By Mail:	Att: Sales RLH Industries, Inc. 936 N. Main St. Orange, CA 92867
----------	---

---

By Phone: Sales / Service Mon - Fri, 6am - 6pm, PST	Local	714-532-1672
	Toll Free	800-877-1672 866-DO-FIBER

---

By Email:	<a href="mailto:info@fiberopticlink.com">info@fiberopticlink.com</a>
-----------	--

---

By FAX:	714-532-1885
---------	--------------

**Tech Support**

---

By Email:	<a href="mailto:support@fiberopticlink.com">support@fiberopticlink.com</a>
-----------	--

---

By Phone:	Toll Free	855-754-2497 855-RLH-24X7
-----------	-----------	------------------------------