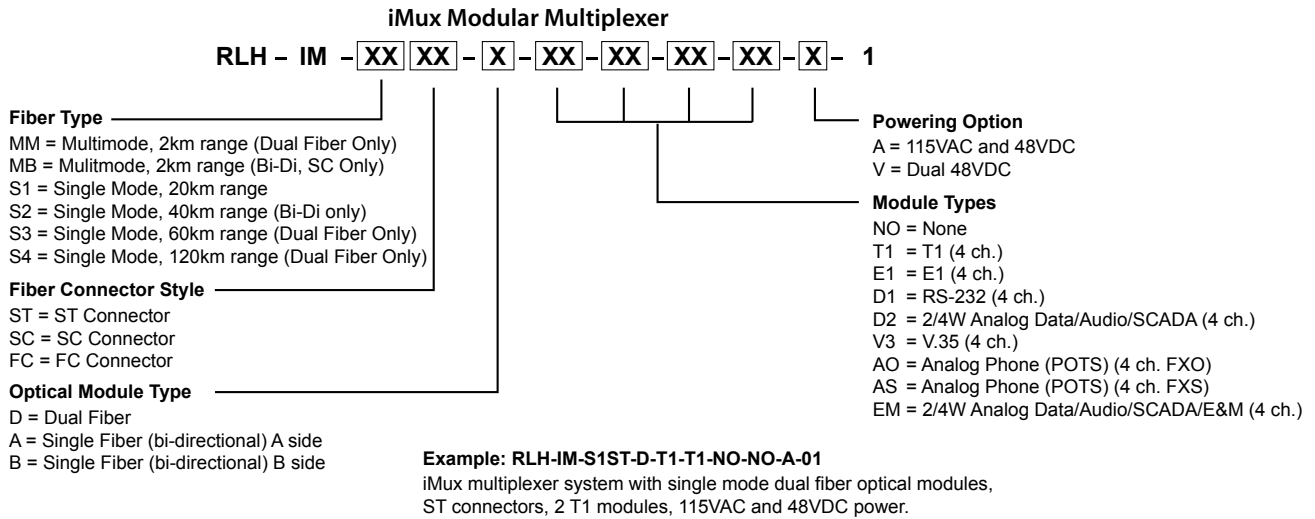


Ordering Information

iMux Modular Multiplexer System



- ▶ Modules are pre-installed and pre-configured prior to shipping.
- ▶ Bidirectional single fiber models require an A Side and B Side unit for a complete system.
- ▶ Please contact your RLH sales representative for pricing and delivery information.