



RLH Industries, Inc.

USER GUIDE

The leader in rugged fiber optic technology.

✓ Unconditional Lifetime Warranty

2012A-0327

Wall Mount Fiber Distribution Units

INDOOR 12 ~ 96 FIBER DISTRIBUTION CABINETS

Introduction

RLH Wall Mount Fiber Distribution Units are designed for fiber optic patching and splicing applications where a wall mount cabinet is desired.

These sturdy powder coated welded steel (standard color grey) enclosures are available in 5 sizes to accept up to 96 fibers. The cabinets are preloaded, with connectors pre-installed. A quarter-turn key lock on the door provides added network security.

Each cabinet includes fiber connectors, fiber splice trays, heat shrink splice protectors, hook and loop cable tie-downs, fiber management spools, built-in mounting lugs and strain reliefs for securing fiber cable.

Self-sealing rubber grommets on the top and bottom sides of the cabinets accommodate multiple cable entrances and exits. All mounting hardware is included. Fiber cable assemblies or pigtails can be custom ordered pre-terminated in to the enclosure for ease of installation.



48 Port Wall Mount Patch Panel



Interior Components, 96 Port model shown

Standard Features

Exclusive Unconditional Lifetime Warranty	Available in 12, 24, 48, 72 and 96 fiber capacities
Mounting hardware included	Quarter turn key locks with 2 keys
ST, SC, FC, LC, UPC, APC and MTRJ adapter plates are preloaded	Strain reliefs and anchor points to secure fiber cable inside the enclosure
Durable powder coated welded steel construction	Wall mount form factor
Includes fiber management spools for fiber storage	Splice trays and fiber splice reinforcements included
Self sealing rubber grommets for multiple cable entrances and exits	Wall mountable with dual door design for easy access to interior components

Specifications subject to change without notice.

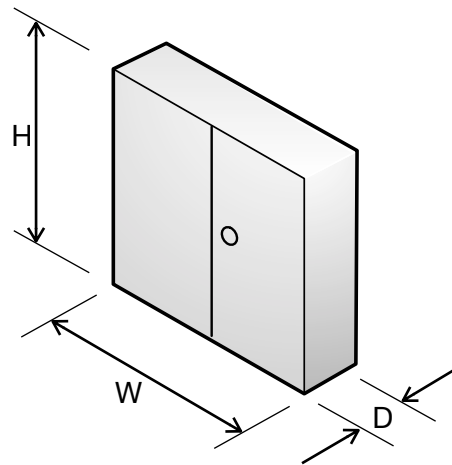


Interior Components, 12 Port model shown



Interior Components, 48 Port model shown

Dimensions



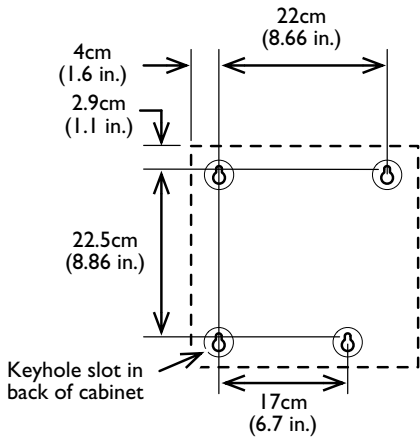
Capacity	WxHxD Dimensions	Top Grommets	Bottom Grommets
12	W 12in. x H 12in. x D 3.4in. (305mm x 305mm x 86mm)	2ea. - 1-1/4" Dia.	1ea.: 1-1/4" Dia., 2ea. 3/4" Dia
24	W 16in. x H 15in. x D 3.4in. (406mm x 381mm x 86mm)	1ea.: 1-1/4" Dia., 2ea. 3/4" Dia	1ea.: 1-1/4" Dia., 2ea. 3/4" Dia
48	W 16in. x H 15in. x D 5.5in. (406mm x 381mm x 217mm)	1ea.: 1-1/4" Dia., 4ea. 3/4" Dia	1ea.: 1-1/4" Dia., 4ea. 3/4" Dia
72	W 19.8in. x H 19in. x D 5.5in. (503mm x 483mm x 217mm)	2ea.: 1-1/4" Dia., 4ea. 3/4" Dia	2ea.: 1-1/4" Dia., 4ea. 3/4" Dia
96	W 19.8in. x H 19in. x D 9.6in. (503mm x 483mm x 244mm)	2ea.: 1-1/4" Dia., 4ea. 3/4" Dia	2ea.: 1-1/4" Dia., 4ea. 3/4" Dia

Wall Mounting

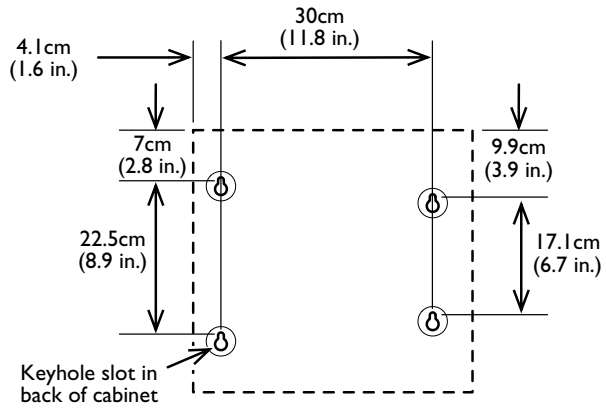
Choose a suitable location, with room for the doors to open fully and easy access to the front. Pre-position the cabinet to plan out cable routings and check for any potential problems with the location. Once the position is checked, mark out the mounting points by either using the cabinet while held in location, or use the mounting measurements below.

For mounting to concrete block walls, use the included wall anchors. Drill a hole in the wall approximately 1-5/8" (4.1cm) deep using an impact drill with a 5/16" concrete drill bit.

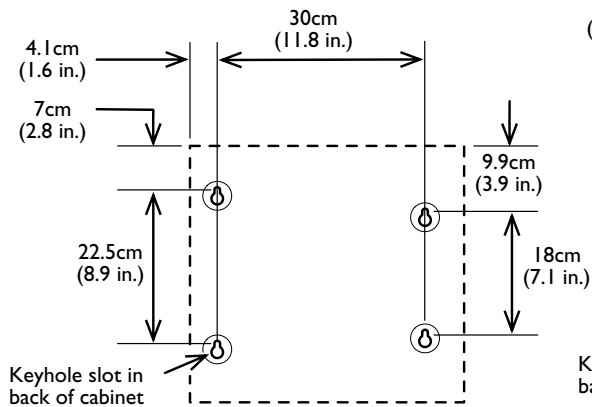
For wall mounting to wood backboard, use the included 3/4" screws and flat washers. For all other mounting applications, use appropriate mounting hardware as required.



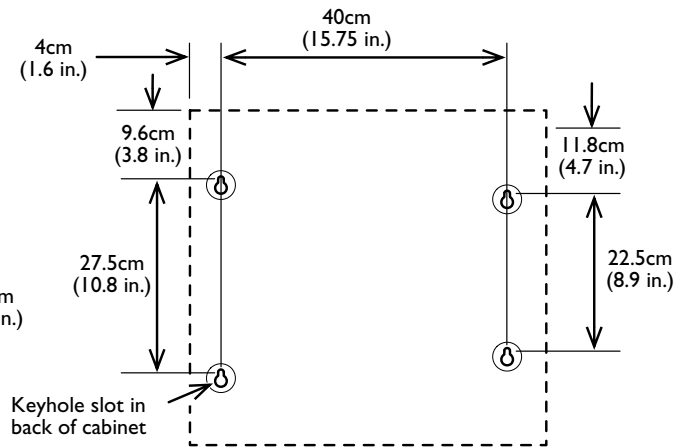
12 Port Wall Mount Pattern



24 Port Wall Mount Pattern



48 Port Wall Mount Pattern



72 and 94 Port Wall Mount Pattern

Specifications subject to change without notice.

Ordering Information

RLH - PW - XX - XX - 02
 Port Capacity: 12, 24, 48, 72 or 96 Adapter Style Code

Connector	Adapter Style			Adapter Code
	Type	Mode	Color	
None (Unloaded)	–	–	–	00
ST	Simplex	MM/SM	–	01
	Duplex	MM/SM	–	02
SC	Simplex	MM/SM	Blue	03
	Duplex	MM/SM	Blue	04
SC-APC	Simplex	SM	Green	06
	Duplex	SM	Green	07
LC	Simplex	SM	Blue	11
		MM	Beige	12
	Duplex	SM	Blue	08
		MM	Beige	09
	Quad	SM	Blue	17
		MM	Beige	18
LC-APC	Simplex	SM	Green	13
		MM	Beige	14
	Duplex	SM	Green	19
		MM	Beige	20
	Quad	SM	Green	21
		MM	Beige	22
MTRJ-MTRJ	Simplex	MM/SM	Black	10
FC	Simplex	MM/SM	–	15
FC-PC	Simplex	MM/SM	–	16
FC-APC	Simplex	SM	–	05
MU-APC	Simplex	MM/SM	Beige	23
	Duplex	MM/SM	Beige	24
MU-UPC	Simplex	MM	Beige	25
MTP/MPO	Simplex	MM/SM	Black	26
E2000-APC	Simplex	MM/SM	Green	27
E2000-UPC	Simplex	MM/SM	Green	28

- ▶ Example: **RLH-PW-24-01-02**
RLH 24 Port wall mount patch panel with ST (MM/SM) adapters.
- ▶ Add **-PMK** to end of part number to include a Pole Mount Bracket with hardware.
- ▶ Please contact your RLH sales representative for pricing and delivery information.

Specifications

Connectors	ST-ST Simplex, Duplex	
	SC-SC Simplex, Duplex	
	SC-APC Simplex	
	APC-SC Simplex, Duplex	
	LC-LC Simplex, Duplex	
	LC-UPC Simplex	
	MTRJ-MTRJ Duplex	
Mounting Style	Wall Mount	
Environmental	Indoor style dual door design	
Construction	Powder coated welded steel	
	Dual doors with quarter-turn key lock, 2 keys Includes fiber splice trays, heat shrink fiber splice support kit, fiber management spools, self sealing cable grommets, strain reliefs/anchor points, cable ties, hook and loop fasteners, fiber cable mounting hardware and cabinet mounting hardware.	
Dimensions	12 Port	W 12in. x H 12in. x D 3.4in. (305mm x 305mm x 86mm)
	24 Port	W 16in. x H 15in. x D 3.4in. (406mm x 381mm x 86mm)
	48 Port	W 16in. x H 15in. x D 5.5in. (406mm x 381mm x 217mm)
	72 Port	W 19.8in. x H 19in. x D 5.5in. (503mm x 483mm x 217mm)
	96 Port	W 19.8in. x H 19in. x D 9.6in. (503mm x 483mm x 244mm)

Technical Support

Normal technical support: (Mon - Fri 6am - 6pm PST)	Local (714) 532-1672
	Toll Free (800) 877-1672
	Toll Free (866) DO-FIBER
24/7 Technical support:	(714) 366-2503
	(714) 396-8982
	(714) 457-5740

Contact Information

Corporate Headquarters:	RLH Industries, Inc. 936 N. Main Street Orange, CA 92867 USA
Phone:	Local (714) 532-1672 Toll Free (800) 877-1672 Toll Free (866) DO-FIBER
Fax:	(714) 532-1885
Email:	info@fiberopticlink.com
Web site:	www.fiberopticlink.com

Warranty

RLH is recognized throughout the world and offers the only **UNCONDITIONAL LIFETIME WARRANTY** in the industry. We are very proud of our warranty which simply states that the product is warranted to be free of defects in material and workmanship for the **LIFE OF THE PRODUCT**.

RLH will replace this product, or part thereof, if it fails FOR ANY REASON, provided the defective part is returned to RLH Freight prepaid. This warranty is UNCONDITIONAL and valid even when this product has been abused, mishandled, or damaged as a result of a natural disaster. This warranty will reduce your costs and simplify your maintenance activities. Not all RLH products are covered by this warranty.

To make a warranty claim, or schedule repair or replacement of your RLH product, please contact us for an RMA number. You will be promptly assisted by one of our warranty specialists. All returns must have an RMA number before we can receive any items.



RLH Industries, Inc.
936 N. Main Street, Orange, CA 92867 USA
T: (714) 532-1672
F: (714) 532-1885

Please contact your RLH sales representative for pricing and delivery information.

Specifications subject to change without notice.