

Rack Mount Fiber Distribution Unit

12 ~ 96 FIBER CAPACITY
19"/23" EQUIPMENT RACK COMPATIBILITY

Introduction

RLH Rack Mount Fiber Distribution Units are designed for fiber optic patching and splicing applications in a standard EIA 19" or 23" equipment rack.

Constructed from powder coated welded steel (standard color grey), these enclosures feature a slide-out access shelf with heavy duty ball bearing shelf glides, and are available in 5 sizes to accept up to 96 fibers.

These rack units are preloaded with adapters, and include rack mounting hardware, fiber splice trays, heat shrink splice protectors, hook and loop cable tie-downs, cable ties, fiber management spools, and built-in strain reliefs and cable clamps for securing fiber cable.

Self-sealing rubber grommets on the rear of the units accommodate multiple cable entrances and exits. Fiber cable assemblies or pigtails can be custom ordered pre-terminated into the enclosure for ease of installation.

RLH rack mount FDUs are covered by our **Exclusive Unconditional Lifetime Warranty**



96 Port model shown with SC Simplex Adapters



24 Port model showing interior components

Standard Features

EIA 19"/23" rack mountable with ball bearing drawer glide design for easy access to interior components	Rear self-sealing rubber grommets for multiple cable entrances and exits
Available in 12, 24, 48, 72 and 96 fiber capacities (192 for Quad)	ST, SC, FC, LC, MTRJ, UPC and APC style adapters are preloaded
Strain reliefs and cable clamps to secure fiber cable inside the enclosure	Durable powder coated, welded steel construction
Includes fiber management spools for fiber storage	Splice trays and fiber splice reinforcements included
Mounting hardware included	Exclusive Unconditional Lifetime Warranty

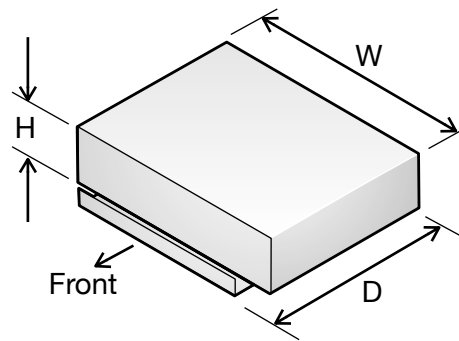


24 Port model shown with ST Duplex Adapters



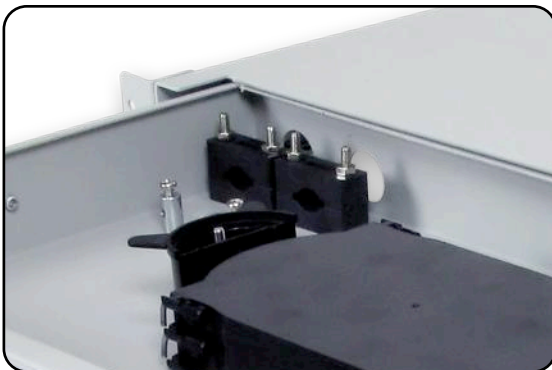
48 Port model shown with ST Simplex Adapters

Dimensions



(Not including rack ears)

Port Capacity		Height	Dimensions	Rear Cable Grommets
Simplex/Duplex	Quad			
12	24	1RU	H 1.75in. x W 17in. x D 12.6in. (44mm x 432mm x 320mm)	4ea. 3/4" Dia
24	48	1RU	H 1.75in. x W 17in. x D 12.6in. (44mm x 432mm x 320mm)	4ea. 3/4" Dia
48	96	2RU	H 3.5in. x W 17in. x D 12.6in. (89mm x 432mm x 320mm)	4ea. 3/4" Dia
72	144	3RU	H 5.25in. x W 17in. x D 12.6in. (133mm x 432mm x 320mm)	4ea. 3/4" Dia
96	192	3RU	H 5.25in. x W 17in. x D 12.6in. (133mm x 432mm x 320mm)	4ea. 3/4" Dia



Fiber clamps, strain reliefs, storage spools and splice trays



Cable ties, anchors, splice protectors and mounting hardware

Rack Mounting

Choose a suitable 19"/23" equipment rack location, with room for the fiber tray to extend and easy access to the interior. For 23" rack installations, use the included supplemental hardware to fasten the 23" rack adapter plates to the 19" rack ears. Pre-position the unit in the rack to plan out fiber cable routings and check for any potential problems with the location. Once the position is checked, fasten the unit to the equipment rack rails with the included rack mount hardware.

Installing Fiber Cables

Route the fiber cables through the self-sealing grommets in the rear of the housing. Make sure to leave room for the service loop out the back once the tray is closed. Insert the fiber cable through the cable clamps and tighten lightly to avoid fiber damage. Wrap excess fiber loosely around the fiber spools avoiding sharp bends.

The splice trays are stacked and held together with retaining pins. Pull the pins to open the trays. Use the heat shrink splice protectors as required on each fiber splice before inserting into the splice trays. Reinsert the tray pins to secure the splice tray when finished.

Use the included cable ties and hook and loop fasteners to organize fiber as required so that no strands are pinched between the tray and housing when the unit is closed. Pull excess fiber from the back as the tray is closed to avoid bending the fiber cable. The drawer glide detents hold the drawer shut once fully closed.

Ordering Information

RLH - PRM - XX - XX - 02

Port Capacity: 12, 24, 48, 72 or 96 └──┬── └──┬── Adapter Style Code

Adapter Style			Adapter Code
Connector	Type	Mode	
ST-ST	Simplex	MM/SM	01
	Duplex	MM/SM	02
SC-SC	Simplex	MM/SM	03
	Duplex	MM/SM	04
SC-APC	Simplex	MM/SM	05
APC-SC	Simplex	SM	06
	Duplex	SM	07
LC-LC	Duplex	SM	08
		MM	09
	Simplex	SM	11
LC-LC	Quad	MM	12
		SM	17
LC-UPC	Simplex	SM	13
		MM	14
MTRJ-MTRJ	Duplex	MM/SM	10
FC-APC	Simplex	MM/SM	15
	Duplex	MM/SM	16

- ▶ Example: **RLH-PRM-24-01-02**
RLH 24 Port rack mount fiber distribution unit with ST-ST simplex MM/SM adapters.
- ▶ Refer to the size specifications for required rack space.
- ▶ Please contact your RLH sales representative for pricing and delivery information.

Specifications

Connectors	ST-ST	Simplex, Duplex		
	SC-SC	Simplex, Duplex		
	SC-APC	Simplex		
	APC-SC	Simplex, Duplex		
	LC-LC	Simplex, Duplex, Quad		
	LC-UPC	Simplex		
	MTRJ-MTRJ	Duplex		
	FC-APC	Simplex, Duplex		
	Mounting Style	Standard EIA 19"/23" rack mount		
Environmental	Indoor type sliding tray design			
Construction	Powder coated welded steel			
	Steel ball bearing tray glides with built-in closing detent			
	Includes fiber splice trays, heat shrink fiber splice support kit, fiber management spools, self sealing cable grommets, strain reliefs/cable clamps, anchor points, cable ties, hook and loop fasteners, fiber cable mounting hardware, 19"/23" rack adapter ears and rack mounting hardware.			
Dimensions	12 Port	(12 Port Quad)	1RU	H 1.75in. x W 17in. x D 12.6in. (44mm x 432mm x 320mm)
	24 Port	(48 Port Quad)	1RU	H 1.75in. x W 17in. x D 12.6in. (44mm x 432mm x 320mm)
	48 Port	(96 Port Quad)	2RU	H 3.5in. x W 17in. x D 12.6in. (89mm x 432mm x 320mm)
	72 Port	(144 Port Quad)	3RU	H 5.25in. x W 17in. x D 12.6in. (133mm x 432mm x 320mm)
	96 Port	(192 Port Quad)	3RU	H 5.25in. x W 17in. x D 12.6in. (133mm x 432mm x 320mm)
	Note: 1RU = 1.75 inches			

Specifications subject to change without notice.

Warranty

RLH is recognized throughout the U.S. and offers the only **UNCONDITIONAL LIFETIME WARRANTY** in the telecommunications industry. We are very proud of our warranty which simply states that our Fiber Optic Link Assemblies are warranted to be free of defects in material and workmanship for the **LIFE OF THE PRODUCT**.

We can offer this warranty because:

- We believe our customers shouldn't have to incur additional costs due to failure or damage
- We engineer and manufacture our Fiber Optic Links in the USA, with total confidence in our quality
- We understand how safety and reliability impact the total cost of ownership
- We know that customer support extends beyond the initial sale, so **we stand behind our products**

RLH will replace any product, or part thereof, that fails **FOR ANY REASON**, provided the defective part is returned to RLH Freight prepaid. This warranty is **UNCONDITIONAL** and valid even when RLH Fiber Optic Link Assemblies have been abused or mishandled, where unauthorized repairs have been attempted or performed, or product has been damaged as a result of a natural disaster. Compare this warranty to our competitors and see how our warranty will reduce your costs and simplify your maintenance activities.

To make a warranty claim, or schedule repair or replacement of your RLH product, please contact us for an RMA number. You will be promptly assisted by one of our warranty specialists. All returns must have an RMA number before we can receive any items.

Technical Support

Normal technical support: (Mon - Fri 6am - 6pm PST)	Local (714) 532-1672 Toll Free (800) 877-1672 Toll Free (866) DO-FIBER
24/7 Technical support:	(714) 396-8982 (714) 457-5740

Contact Information

Corporate Headquarters:	RLH Industries, Inc. 936 N. Main Street Orange, CA 92867 USA
Phone:	Local (714) 532-1672 Toll Free (800) 877-1672 Toll Free (866) DO-FIBER
Fax:	(714) 532-1885
Email:	info@fiberopticlink.com
Web site:	www.fiberopticlink.com



RLH FIBER OPTIC LINK
RLH Industries, Inc., The Leader in Fiber Optic Telecom Isolation Technology
LIFETIME

UNCONDITIONAL WARRANTY

RLH INDUSTRIES, INC. FIBER OPTIC LINK assemblies are warranted to be free of defects in materials and workmanship for the life of the product. This lifetime warranty is effective for RLH products sold from February 2, 1988, to the present, with the exception of fiber optic cable assemblies which are warranted only to be free of defects in manufacturing and batteries, which carry a 5-year unconditional replacement warranty.

RLH Industries, Inc. will repair or replace any product, or part thereof, that fails for any reason, provided the defective part is returned to RLH, freight prepaid.

This warranty is **UNCONDITIONAL** and is valid even when RLH Fiber Optic Link assemblies have been abused or mishandled, where unauthorized repairs have been attempted or performed, or product has been damaged as a result of a natural disaster.

Authorized by: *J. Randall Mears*
J. RANDALL MEARS, Vice President, Engineering



RLH Industries, Inc.
 936 N. Main Street, Orange, CA 92867 USA
 T: (714) 532-1672
 F: (714) 532-1885

Please contact your RLH sales representative for pricing and delivery information.

Specifications subject to change without notice.