

## PEDESTAL (TYPE-02)

### SEMI-BURIED OUTDOOR RATED EQUIPMENT PEDESTAL

RLH Semi-Buried Type-02 Pedestal enclosures feature interlocking bases for solid mounting foundation, and stand approx. 36" high when the base is buried. Mounting stakes or platforms are not required for installation, and the heavy duty, impact resistant, all-dielectric plastic housing is outdoor rated and corrosion proof. Pedestals include treated plywood backboard mounted to a steel frame, pre-wired snap lock gel-filled copper terminal, convenient ground bar, and lockable covers with hex head self-locking system and padlock hasp.

Type-02 pedestals are available with 2 or 5-card 4RU Fiber Optic Link housings, and gas tube protection is available as a standard option.



Shown with 5-card shelf installed

#### Standard Features

All-dielectric, impact resistant, plastic construction

Internal steel frame

Fire treated and painted 3/4" plywood backboard

Self-locking cover with hex head release

Padlock locking hasp

Space for 2 or 5-card fiber link housings

Pre-wired copper terminal, gas tube protection optional

frame-mounted ground bar

Oversize interlocking base for solid foundation

Heat dissipation vents for sensitive equipment

Slim, unobtrusive design has minimum visual impact

Removable cover permits 360° access to equipment

### Standard Specifications

<b>CONSTRUCTION:</b>	All-dielectric forest green, impact resistant vented plastic housing with self-locking cover and padlock hasp
<b>MOUNTING STYLE:</b>	Semi-buried, approx. 36" above grade
<b>SIZE:</b>	(Unburied) H48" x W16" x L14"
<b>INCLUDED:</b>	Steel frame with fire treated and painted 3/4" plywood backboard, integrated ground bar, includes pre-wired copper terminal
<b>OPTIONS:</b>	2-card Fiber Optic Link housing, 5-card Fiber Optic Link shelf, Gas Tube Protection

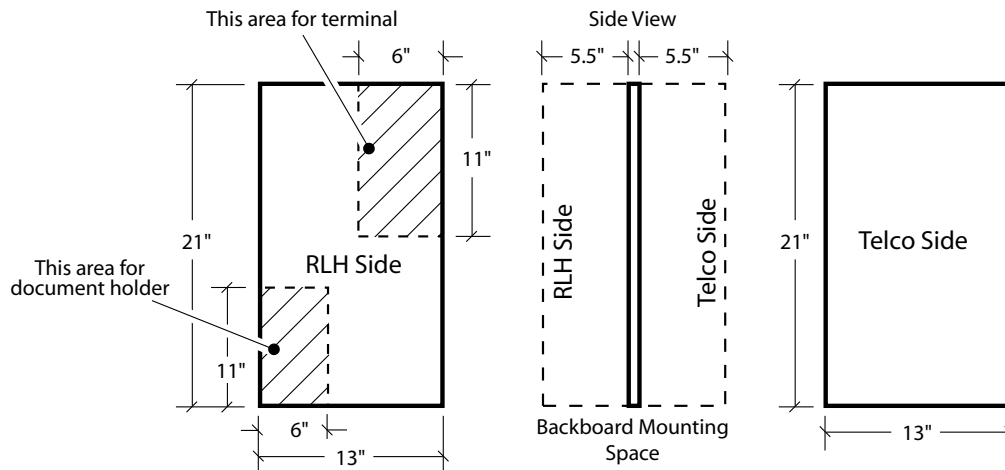


Part Number	Description	Pre-wired Terminals
8806-1285-02	Dielectric Pedestal (Type-02) without card housing	10-pair copper terminal
8806-1285-02PT	Dielectric Pedestal (Type-02) without card housing	10-pair copper terminal with gas tube protection

#### Telco Interface Units:

Part Number	Description	Pre-wired Terminals
8806-1405-02	Dielectric Pedestal (Type-02) with 2-card housing	10-pair copper terminal
8806-1409-02	Dielectric Pedestal (Type-02) with 5-card shelf	10-pair copper terminal
8806-1405-02PT	Dielectric Pedestal (Type-02) with 2-card housing	10-pair copper terminal with gas tube protection
8806-1409-02PT	Dielectric Pedestal (Type-02) with 5-card shelf	10-pair copper terminal with gas tube protection

#### Backboard Mounting Dimensions:



RLH Industries, Inc.  
 936 N. Main Street, Orange, CA 92867 USA  
 T: (714) 532-1672  
 F: (714) 532-1885

Please contact your RLH sales representative for pricing and delivery information.

Specifications subject to change without notice.