



RLH Industries, Inc.

USER GUIDE

The leader in
rugged fiber optic
technology.

✓ Unconditional
Lifetime Warranty

2011A-0504

RLH Hi-Density Pedestal

Product Information and Specifications

Description

The RLH Hi-Density Pedestal is an above-ground enclosure, designed to shelter Fiber Optic Link and other Telco equipment. The Pedestal is made up of 12 and 14 gauge galvanized steel. Doors and top are detachable using stainless steel slide off hinges. Front doors are locked with a rod-roller system including a flush mounted 1-piece lock. All ventilation louvers are backed with fiberglass bug screens. Pedestal can be concrete pad mounted, stake mounted, or vault mounted (2 mounting stakes and hardware included). A mounting pad can be ordered optionally. All vertical seams are sealed with synthetic rubber seal. Entire pedestal is rain tight. The plywood backboard measures: 35"x 24"x 3/4". P/N 8806-1412-01 includes a 12-card shelf pre-wired to a 25-pair copper terminal.

Installation

The base of the pedestal should be buried 8-12 inches. Use river rock or proper absorbing base material inside bottom of pedestal for moisture and rodent prevention. Seal all conduit openings.



12-Card Hi Density Pedestal

Features

Locking door design

Vented, outdoor rated enclosure

Durable powder coated steel cabinet

Extra large capacity

Treated Plywood Backboard

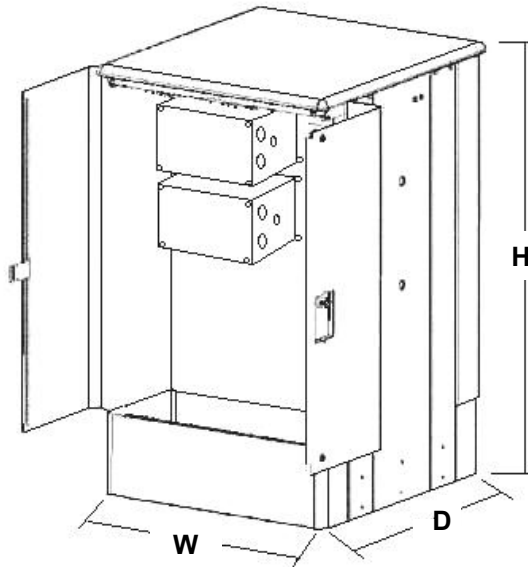
Available with pre-installed card hosings

Mounting base and mounting pad available

Exclusive Unconditional Lifetime Warranty

Specifications subject to change without notice.

Ordering Information



Part Number	Description
8806-1410-01	Hi-Density Pedestal w/ plywood backboard
8806-1412-01	Hi-Density Pedestal w/ (1) 12-Card Shelf
RLH-PAD3436	Mounting Pad w/ base 34"x36"

- ▶ Add PT to any part number to include a pre-wired gas tube protected terminal

Part Number	Description
8806-1440-01	Hi-Density Pedestal w/ plywood backboard
8806-1444-01	Hi-Density Pedestal w/ (1) 12-Card Shelf
8806-1445-01	Hi-Density Pedestal w/ (2) 12-Card Shelves
8806-1446-01	Hi-Density Pedestal w/ (3) 12-Card Shelves
RLH-PAD4854	Mounting Pad w/ base 48"x54"

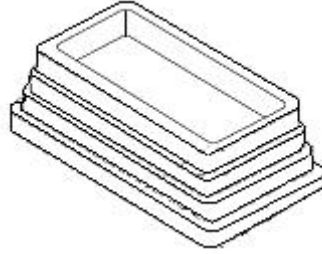
- ▶ Add PT to any part number to include a pre-wired gas tube protected terminal

Pedestal Mounting Options

All hi-density pedestal enclosures are provided with (2) 36" mounting stakes and hardware. Additional mounting configurations can be ordered optionally.

Pedestal Mounting Base

The RLH pedestal mounting base provides added stability, and expanded cable storage. The mounting base can be installed alone or with the polymer pad. Attachment hardware is included. The base can be used with the 18" deep pedestal enclosures only.

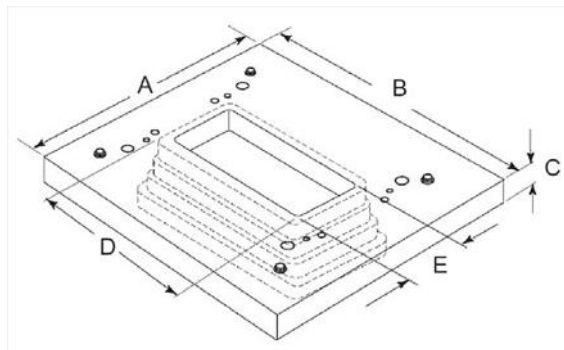


Part Number	Description
RLH-PMB-01	Pedestal Mounting Base

Pedestal Mounting Pad

The RLH Pedestal Mounting Pad provides a secure mounting foundation for Hi- Density Pedestal enclosures. The mounting pad part number includes a mounting base, hardware is included.

Part Number	A Width	B Length	C Depth	D Cutout	E Cutout
RLH-PAD3436	34"	36"	3.5"	20"	9"
RLH-PAD4854	48"	54"	3.5"	26"	14"



Part Number	Description
RLH-PAD3436	Polymer Pad 34"x36" with Base (18" deep pedestal)
RLH-PAD4854	Polymer Pad 48"x54" with Base (28" deep pedestal)

Warranty

RLH is recognized throughout the world and offers the only **UNCONDITIONAL LIFETIME WARRANTY** in the industry. We are very proud of our warranty which simply states that the product is warranted to be free of defects in material and workmanship for the **LIFE OF THE PRODUCT**.

- We believe our customers shouldn't have to incur additional costs due to failure or damage
- We engineer our products with total confidence in our quality
- We understand how safety and reliability impact the total cost of ownership
- We know that customer support extends beyond the initial sale, so **we stand behind our products**

RLH will replace any product, or part thereof, that fails **FOR ANY REASON**, provided the defective part is returned to RLH Freight prepaid. This warranty is **UNCONDITIONAL** and valid even when RLH products have been abused or mishandled, or the product has been damaged as a result of a natural disaster. This warranty will reduce your costs and simplify your maintenance activities. Not all RLH products are covered by this warranty.

To make a warranty claim, or schedule repair or replacement of your RLH product, please contact us for an RMA number. You will be promptly assisted by one of our warranty specialists. All returns must have an RMA number before we can receive any items.

Technical Support

Normal technical support hours (Mon - Fri 6am - 6pm PST)	Local (714) 532-1672
	Toll Free (800) 877-1672
	Toll Free (866) DO-FIBER
24/7 Technical support	(714) 366-2503
	(714) 396-8982
	(714) 457-5740

Contact Information

Corporate Headquarters	RLH Industries, Inc. 936 N. Main Street Orange, CA 92867 USA
Phone	Local (714) 532-1672
	Toll Free (800) 877-1672
	Toll Free (866) DO-FIBER
Fax	(714) 532-1885
Email	info@fiberopticlink.com
Web	www.fiberopticlink.com



RLH Industries, Inc.
936 N. Main Street, Orange, CA 92867 USA
T: (714) 532-1672
F: (714) 532-1885

Please contact your RLH sales representative for pricing and delivery information.

Specifications subject to change without notice.