

RLH Industries, Inc. Battery Packs

Description

The RLH battery packs consist of 2 (24V) or 4 (48V) batteries contained within a dielectric housing. Battery packs are used with AC/DC power supplies to provide uninterrupted backup power in the event of an AC outage. The life expectancy of the battery is 5 years, excessive hot or cold temperatures will decrease battery power and life. Depleted and/or defective batteries need to be replaced by qualified personnel. RLH batteries have a 5 year warranty. To order replacement batteries refer to ordering part number table.

Features / Benefits

- No-spill battery design
- Compact wall mount box
- 24V and 48V models
- 5-Year battery warranty

24V 7.2Ah (p/n 8806-1206-03BB)

Dimensions (LxWxD) Inches: 8.25 x 8.25 x 4.5

Fuse rating: 6A

Weight: 14 lbs.

24V 20Ah (p/n 8806-1250-06BB)

Dimensions (LxWxD) Inches: 8.25 x 8.25 x 7.5

Fuse rating: 6A

Weight: 33 lbs.

48V 1.2Ah (p/n 8806-1204-01BB)

Dimensions (LxWxD) Inches: 9.5 x 4.75 x 4.0

Fuse rating: 3A

Weight: 7 lbs.

48V 7.2Ah (p/n 8806-1214-01BB)

Dimensions (LxWxD) Inches: 11.3 x 9.3 x 5.4

Fuse rating: 6A

Weight: 29 lbs.



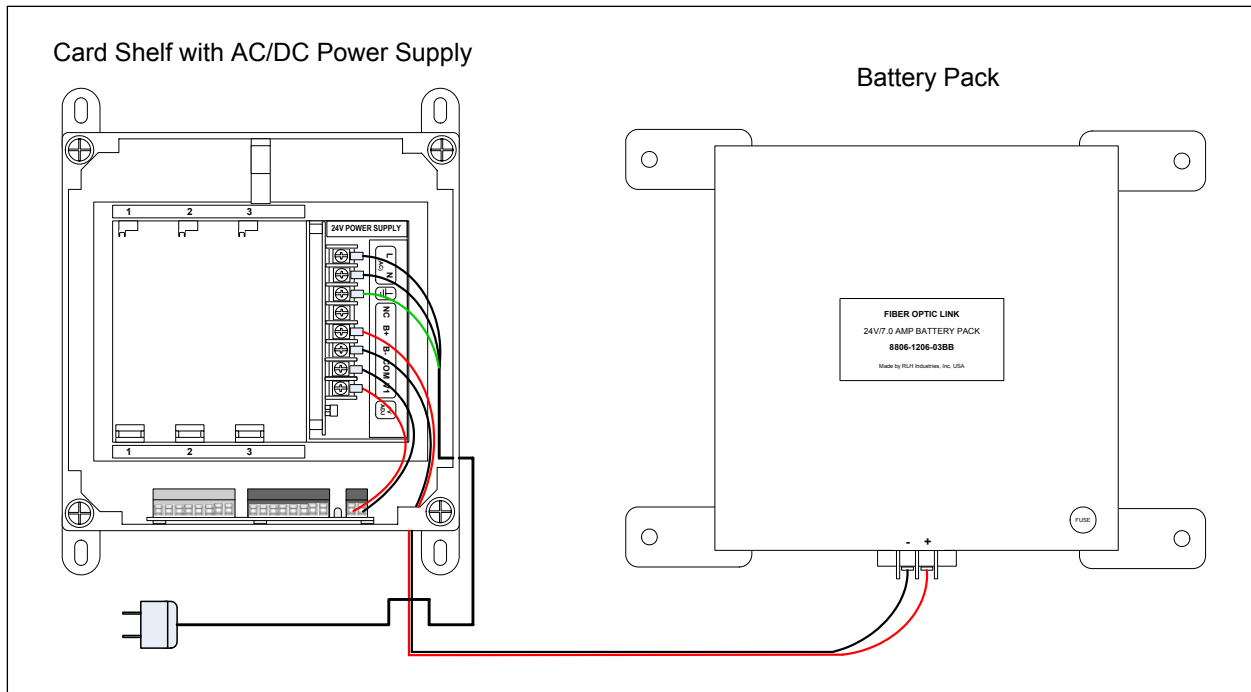
24V 7.2AH Battery Pack



48V 1.2AH Battery Pack



48V 7.2AH Battery Pack



AC/DC Power Supply

The Fiber Optic Link shelf card housing can be ordered with an internal AC/DC power supply with 24VDC or 48VDC output to the Fiber Optic Link Card. The battery pack connects to the power supply “B+” and “B-“ terminals.

Battery Specifications

Battery Construction: Sealed lead acid
Operating Temp.: -20C to +60C (-4F to +140F)
Connection: Faston tab 187/250



Ordering Info

Part Number	Description
8806-1204-01BB	48VDC 1.2AH Battery Pack
8806-1204-01RB	48VDC 1.2AH Replacement Batteries
8806-1206-03BB	24VDC 7.2AH Battery Pack
8806-1207-03	24VDC 7.2AH Replacement Batteries
8806-1214-01BB	48VDC 7.2AH Battery Pack
8806-1214-01RB	48VDC 7.2AH Replacement Batteries
8806-1250-06BB	24VDC 20AH Battery Pack
8806-1250-06RB	24VDC 20AH Replacement Batteries