



RLH Industries, Inc.

USER GUIDE

The leader in rugged fiber optic technology.

✓ Unconditional Lifetime Warranty

2011A-0202

4W Data 4RU Card Powering by DST Simplified Sealing Current

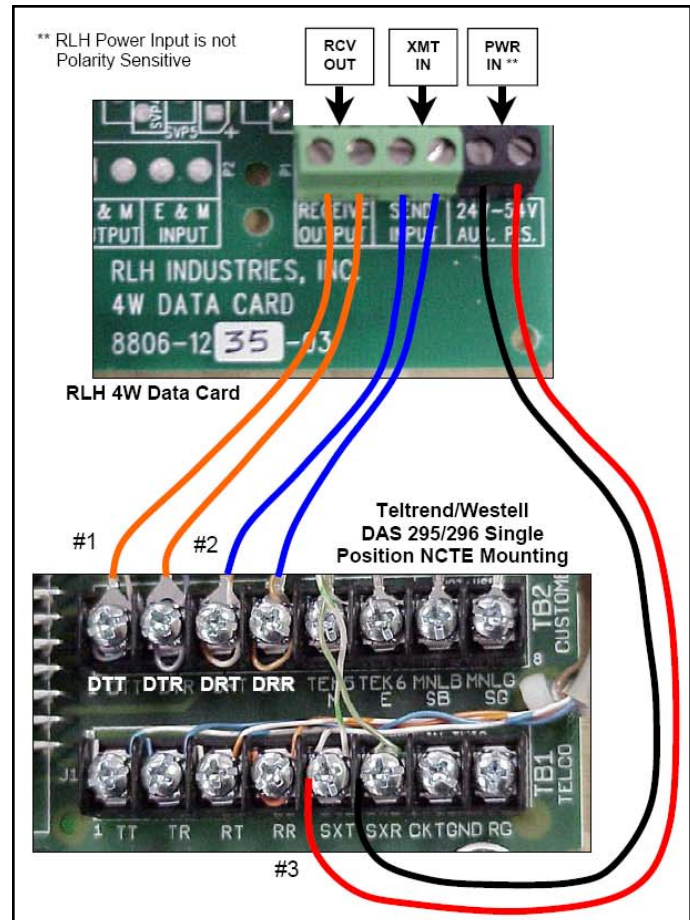
Wiring Instructions

1. Connect DST Mounting Customer Pins DTT/DTR or T/R to RLH 4W Data Card RECEIVE OUTPUT terminals.
2. Connect DST Mounting Customer Pins DRT/DRR or T1/R1 to RLH 4W Data Card SEND INPUT terminals.
3. Connect DST Mounting Pins SXT/SXR to RLH 4W Data Card 24V-54V AUX. P.S. terminals.
4. Set DST Sealing Current Option to "TERM" setting.

Compatible NCTE Mountings*	
Westell 1-Pos. 29512	(CLEI: NCMDCR03RA)
Westell 6-Pos. USAWM-06012	(CLEI: NCMUAA05RA)

* Mounting must have access to SXT/SXR terminals

Compatible DST Cards	
Engenuity DST249612 (VZ ID: 11028546)	(CLEI: DSTOBFCAAA)
Engenuity SDS5486SB12	(CLEI: NCC1HPHEAA)
Engenuity SDS5496LG12 (VZ ID: 934461)	(CLEI: NCD3JMHDAAA)
Engenuity SDS5497FA13 (VZ ID: 87295570)	(CLEI: NCC1HJK4AA)



Specifications subject to change without notice.

Functional Layout Diagram

