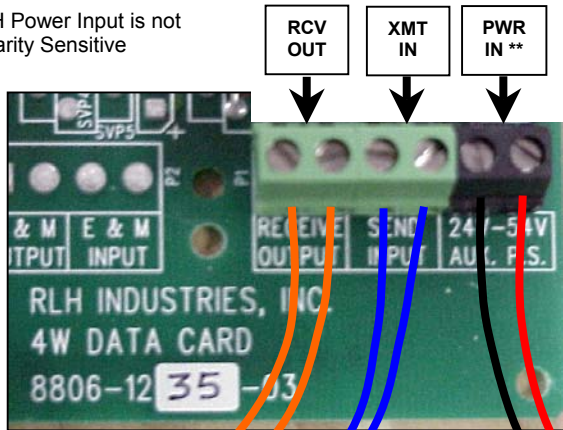


** RLH Power Input is not Polarity Sensitive

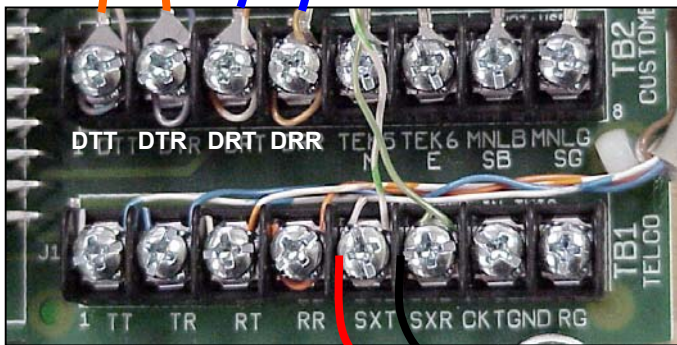


RLH 4W Data Card

Wiring Instructions

1. Connect DST Mounting Customer Pins DTT/DTR or T/R to RLH Card Receive Output Terminals
2. Connect DST Mounting Customer Pins DRT/DRR or T1/R1 to RLH Send Input Terminals
3. Connect DST Mounting Pins SXT/SXR to RLH Card 24V-54V Aux. P.S. Terminals
4. Set DST Sealing Current Option to "TERM" Setting

#1 #2 #3
Teltrend/Westell DAS 295/296 Single Position NCTE Mounting



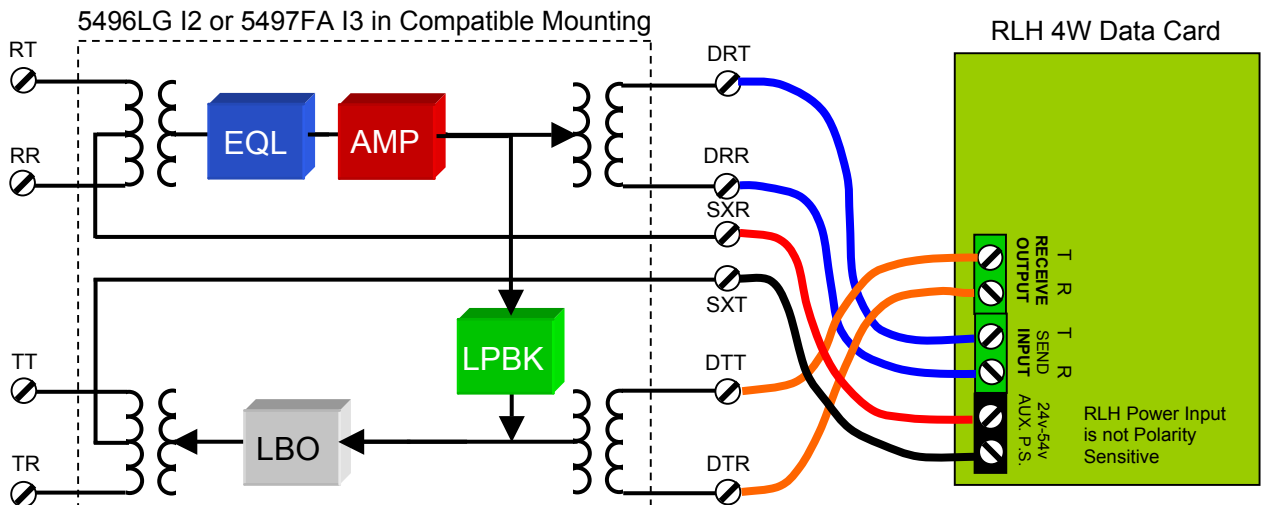
Compatible NCTE Mountings

- Westell 1 Pos. DAS 295 (BS 953 690 937)
- Westell 1 Pos. DAS 296 (VZ 872 287 36)
- Westell 6 Pos. USAWM-060 I2 (BS 333 001 709)

Compatible DST Cards*

- Westell/Teltrend 5496LG I2 (VZ 934461)
- Westell/Teltrend 5497FA I3

* DST must be installed in listed NCTE mountings



Functional Layout Diagram