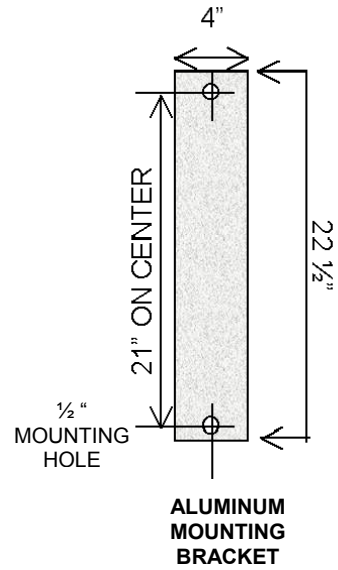
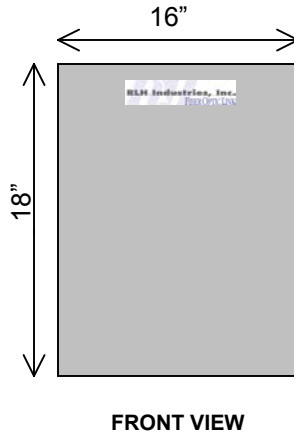
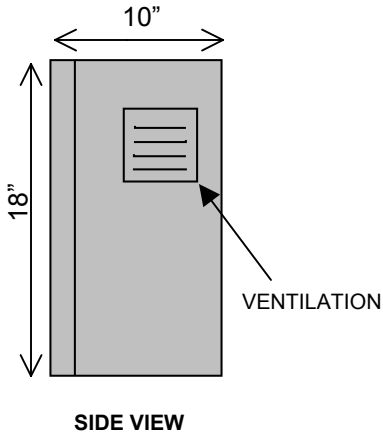
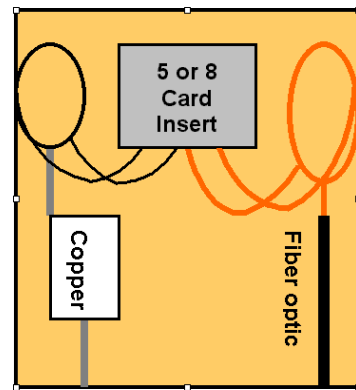


RLH 5 and 8 Card Enclosure Data Sheet

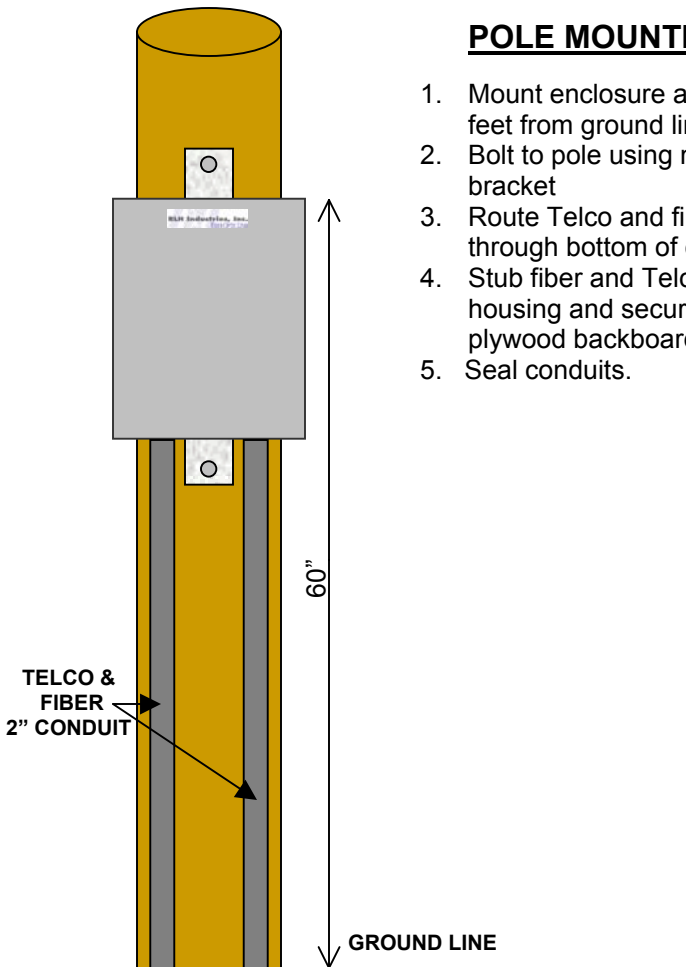


POLE MOUNTING:

1. Mount enclosure approximately 5 feet from ground line to top.
2. Bolt to pole using mounting bracket
3. Route Telco and fiber conduits through bottom of enclosure
4. Stub fiber and Telco cables into housing and secure onto plywood backboard.
5. Seal conduits.



Fiber optic and copper cabling should be routed as shown.



RLH 5 Card Enclosure	P/N 8806-1403-01
RLH 8 Card Enclosure	P/N 8806-1404-01



RLH Industries, Inc. (800) 877-1672
www.fiberopticklink.com