



RLH Industries, Inc.

PRODUCT INFORMATION

The leader in
fiber optic
telecommunications
technology.

R2009A-01 | 1409

RLH 24-Port Wall Mount Fiber Optic Patch Panel

The 24 Port Wall Mount Patch Panel is used to house fiber terminations and accommodate patching of fiber links. The enclosure is constructed of powder coated steel and has a hinged door with latch for easy access to fiber optic cables.

A second removable internal door is secured with a key lock to prevent altering or disconnecting source cables. The enclosure can accommodate splice tray storage and has convenient fiber routing grommets at top and bottom. Cable management hardware and 2 keys are included.

Size: H12" x W12" x D3.5"



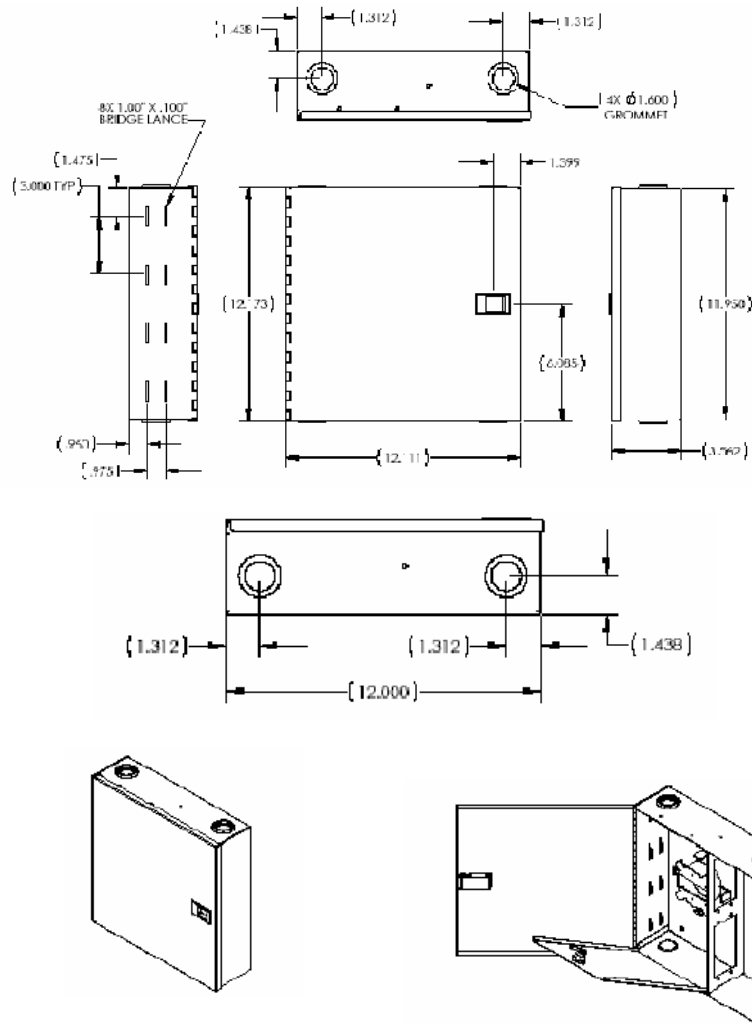
Part Number	Description
RLH-24WST-01	24 Port Patch Panel, Wall Mount, with ST adapters
RLH-24WSC-01	24 Port Patch Panel, Wall Mount, with SC adapters
RLH-24WXX-01	24 Port Patch Panel, Wall Mount, unloaded. Holds 4 Adapter Plates available separately.

RLH Industries, Inc.
936 N. Main Street, Orange, CA 92867 USA
T: (714) 532-1672
F: (714) 532-1885

Contact your RLH representative today for details,
pricing and availability.

Specifications subject to change without notice. 24-PP-WM-01.09A

24 Port Wall Mount Fiber Optic Patch Panel



RLH Industries, Inc.
 936 N. Main Street, Orange, CA 92867 USA
 T: (714) 532-1672
 F: (714) 532-1885

Contact your RLH representative today for details,
 pricing and availability.