

RLH Industries, Inc.

Wall Mount Patch Panels

The 12 Port and 24 Port Wall Mount Patch Panels are used to house fiber terminations and accommodate patching of fiber links. The enclosure is constructed of powder coated steel with a hinged door with latch for easy access to fiber optic cables. Cable management hardware is included. Size: H12”xW12”xD3.5”

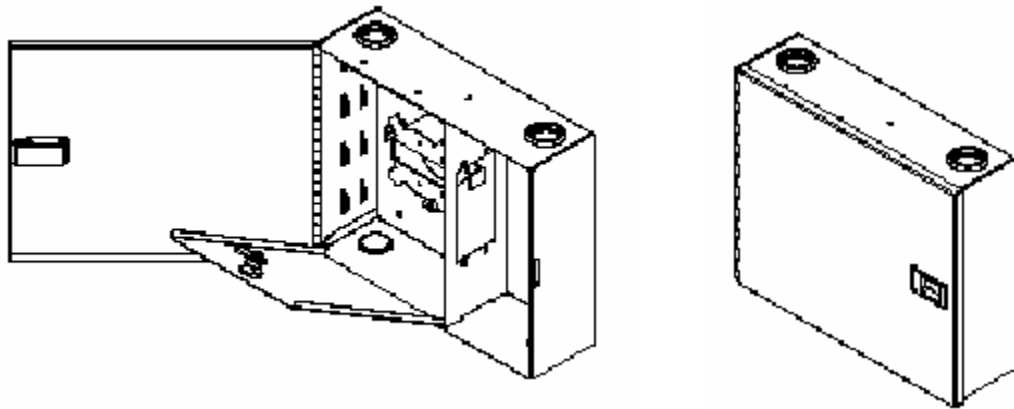
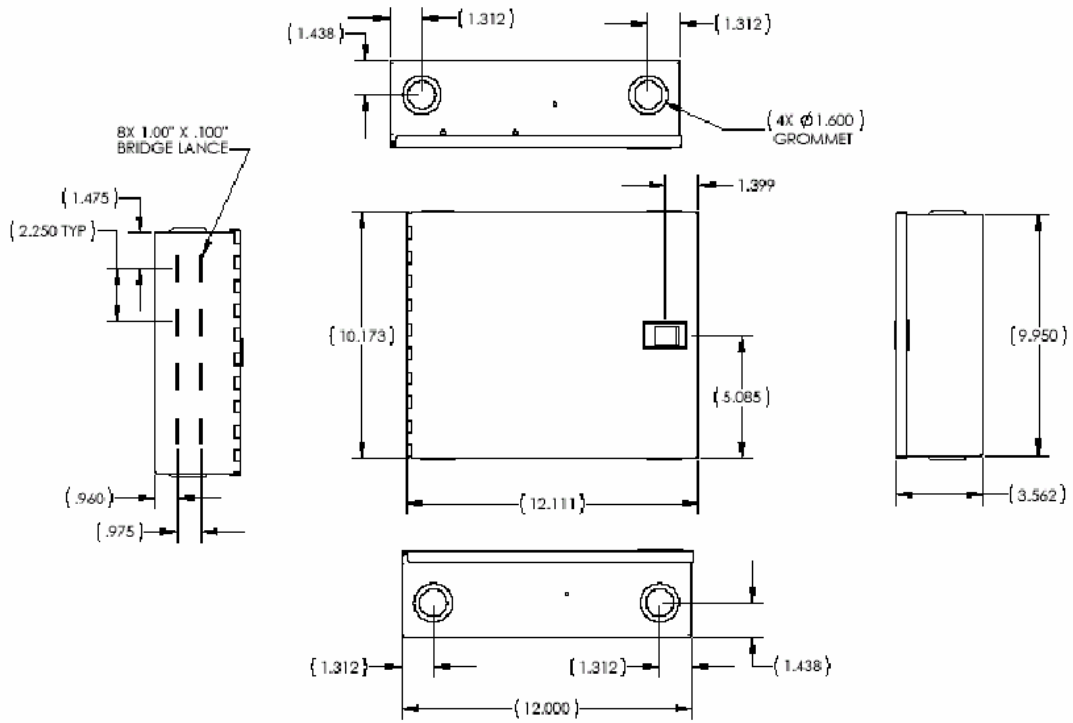


RLH-24WST-01

Ordering Info:

Part Number	Description
RLH-12WST-01	12 Port patch panel, wall mount, w/ ST adapters
RLH-12WSC-01	12 Port patch panel, wall mount, w/ SC adapters
RLH-24WST-01	24 Port patch panel, wall mount, w/ ST adapters
RLH-24WSC-01	24 Port patch panel, wall mount, w/ SC adapters

12 PORT PATCH PANEL WALL MOUNT



24 PORT PATCH PANEL WALL MOUNT

