

The RLH fiberglass pole is ideal for solar panel installation inside the GPR zone of influence. Care must be taken to ensure that the wiring from the solar supply is insulated beyond the maximum calculated GPR.

POLE SPECIFICATIONS:

MATERIAL: FILAMENT WOUND TAPERED COMPOSITE SHAFT CONSISTING OF CONTINUOUS FIBERGLASS ROVING COMBINED WITH THERMOSETTING UNSATURATED POLYESTER RESIN WOUND IN LOW-ANGLE HELICALS AND HIGH-ANGLE HOOPS.

MAX. FIXTURE EPA: 5.9/2.4 SQ. FT.

MAX. FIXTURE WEIGHT: 45 LBS

MAX. WIND VELOCITY: 80/100 MPH

MATERIALS INCLUDED:

- 14' FIBERGLASS POLE
- 3/4" PVC FLEX CONDUIT 15'
- 3/4" PVC ELBOW CONNECTOR
- 3/4" PVC STRAIGHT CONNECTOR
- UNI-STRUT (8", 10")
- UNI-STRUT RIGID CLAMPS (3.5", 4")
- POLE CAP 3"

ORDERING INFO:

FIBERGLASS POLE PART NUMBER:

RLH-DPOLE-14

THE FIBERGLASS POLE CAN BE ORDERED WITH RLH SOLAR POWER SUPPLY BY ADDING A **FP** TO THE END OF THE PART NUMBER.

FIBERGLASS POLE
P/n: RLH-DPOLE-14

RLH INDUSTRIES, INC.

936 N. Main Street Orange, CA 92867
Ph: (714) 532-1672 Fx: (714) 532-1885
Web-site: www.fiberopticlink.com

The **RLH-DPOLE-14** is shipped with the attachment hardware installed and Wiring hole pre-drilled. Solar panel installation is recommended on the ground, then the pole and panel be lifted into place and faced toward the proper direction for maximum solar view.

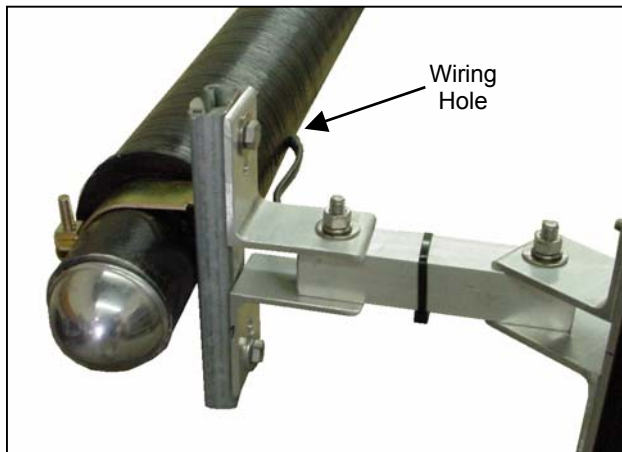


Figure 1 Solar Panel Attachment
Slide Nuts Into Top Channel and Attach Solar Panel Bracket to Channel with Screws and Washers.



Figure 2 Solar Panel Attachment
Slide Nuts Into Lower Channel and Attach Solar Panel Bracket to Channel with Screws and Washers.



Figure 3 Assembled Solar Panel



Figure 4 Panel Wiring
Insert Solar Panel Wiring Into Hole Located Just Below Top Mounting Bracket and Secure with Ty-Rap's



Figure 5 Panel Wiring
Remove Handhole Cover with Hex-Wrench and Attach Conduit Elbow by Reaching Into Handhole. Feed Solar Panel Wiring into Conduit to Interface Box