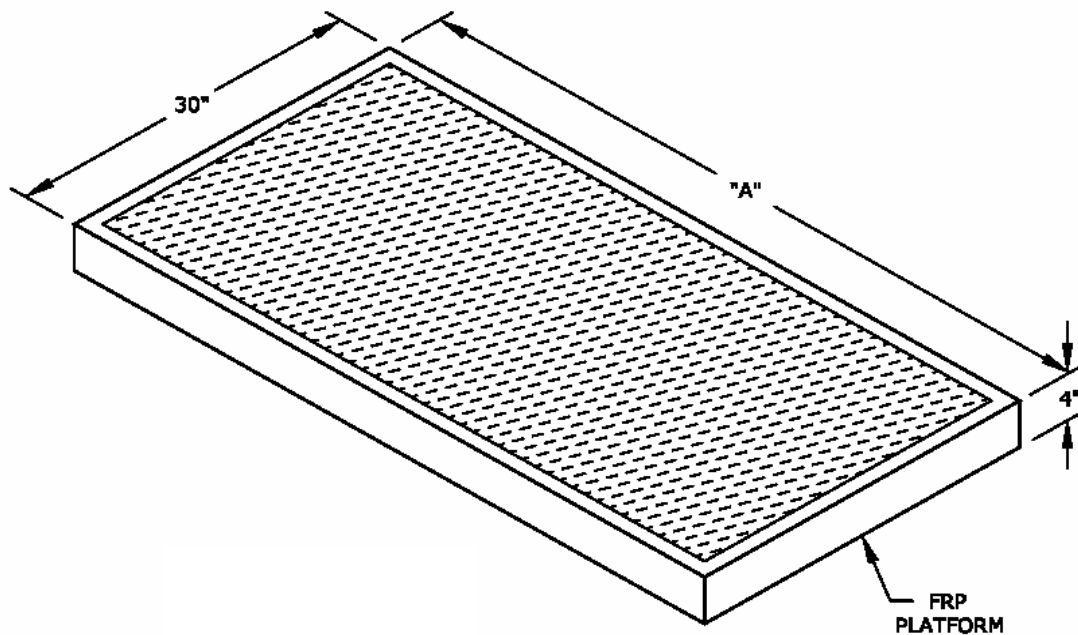


RLH Industries, Inc.

Fiberglass Dielectric Platform/Pad

The all-dielectric work platform is recommended at the CO side inside the GPR Zone of Influence. Personnel working on this unit should be isolated from the local ground and subscriber equipment. The advantages of the fiberglass dielectric platform include: lightweight, non-skid surface, and an easy one day installation.



Ordering Info:

RLH Part Number	"A"	Description
RLH-DPAD-3048	48"	Fiberglass Dielectric Platform – 65lbs.
RLH-DPAD-3060	60"	Fiberglass Dielectric Platform – 81lbs.